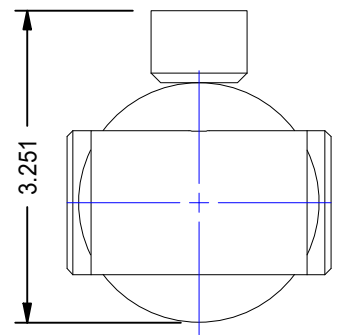
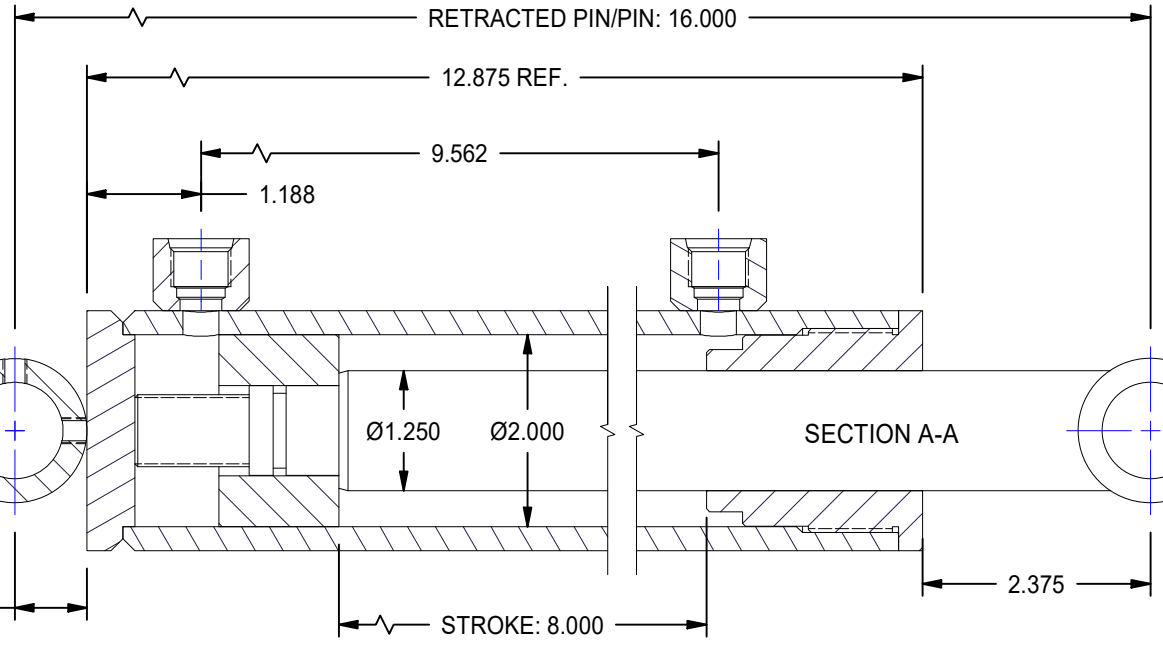
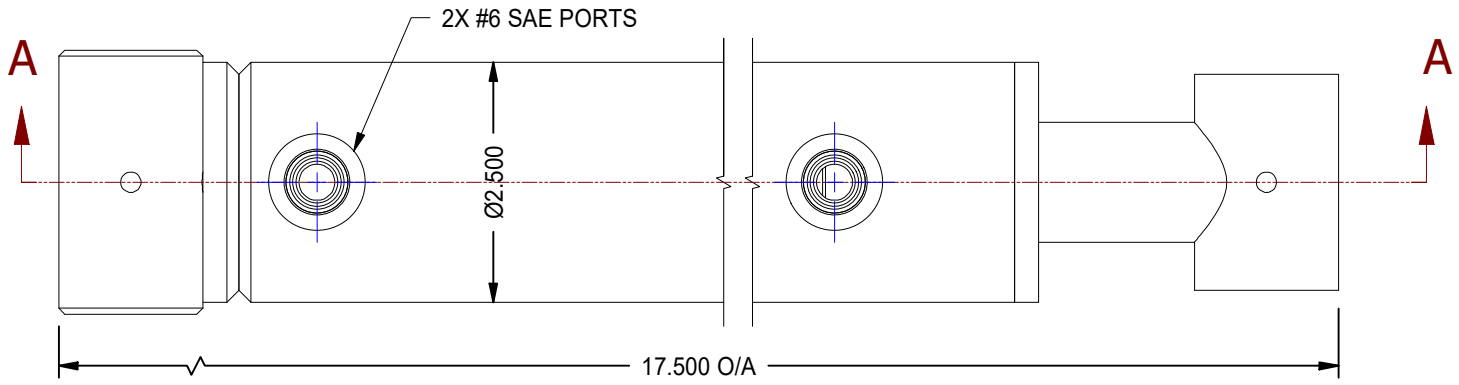



1

2



MODEL NUMBER:		PROJECT/CUSTOMER INFO:		DSGND:	DATE: 2011-12-05	
 TITAN WORLDWIDE INC. <small>31 rue 55th St. Clear Lake or Republic, in state or power. One that stands out for greatness of achievement!</small>		CAPACITY:		WEIGHT: N/A		
		SHEET: A		SHEET: 3 OF 16		FILENAME: TTN20TBXX.idw
701 MONTREAL STREET THUNDER BAY, ON P7E 3P-2 CANADA TEL: 807-474-5337 FAX: 807-623-5692 www.titanworldwide.com		TITLE: TTN20TB08				
DRAWING No:					REVISION:	

DATE	INTL	DESCRIPTION	REV

1

2