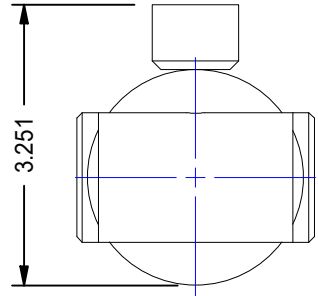
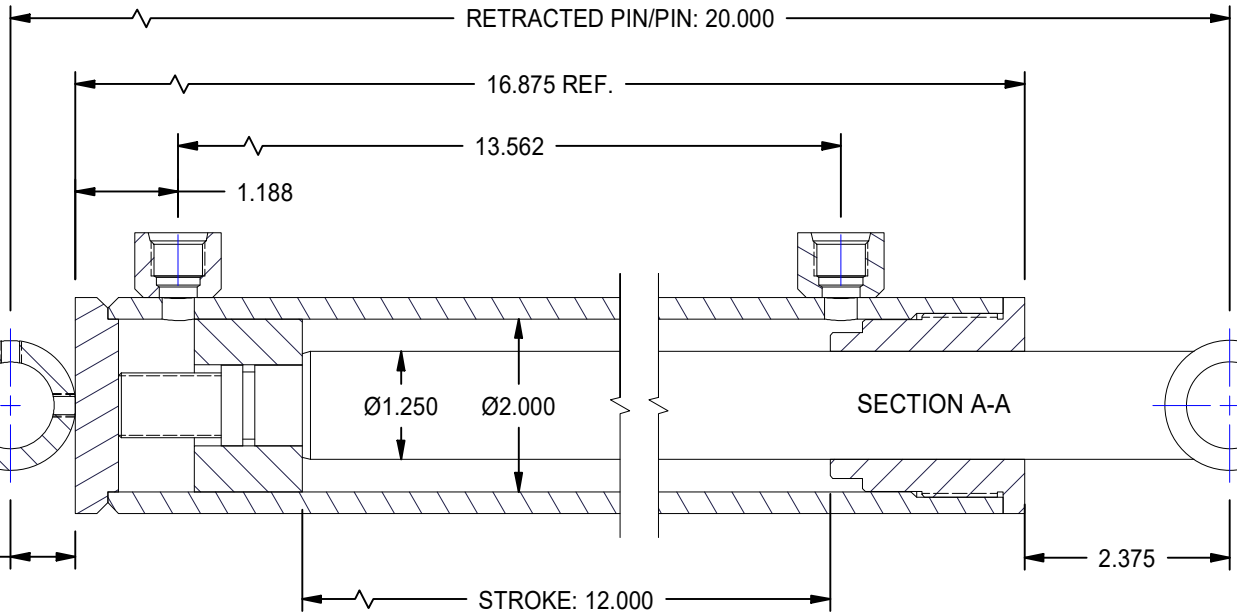
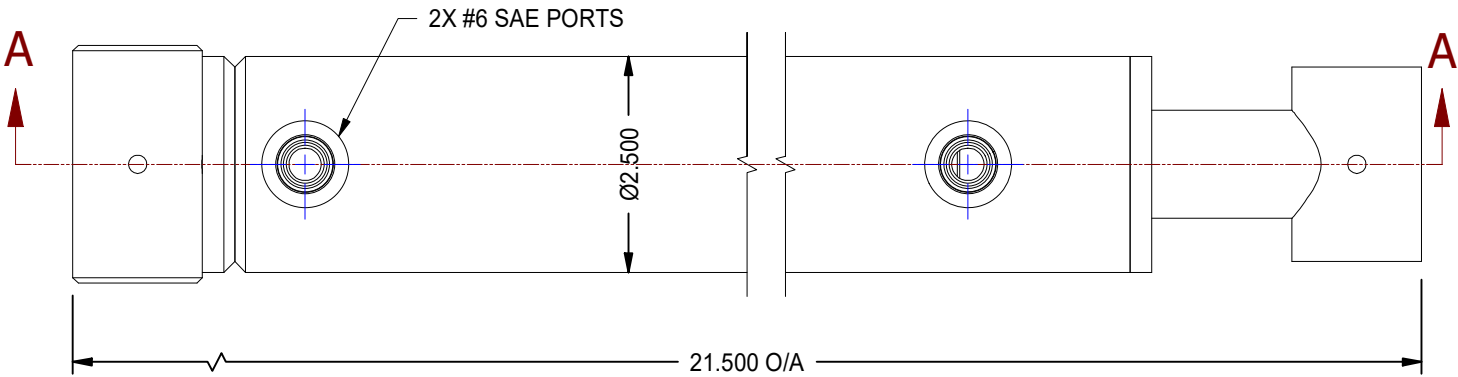



1

2



MODEL NUMBER:		PROJECT/CUSTOMER INFO:		DSGND:	DATE: 2011-12-05
 TITAN WORLDWIDE INC. <small>31 ton 5000 L. Clear fluid or glycerin in case of power. One that stands out for greatness in achievement!</small> PHONE: 807-474-5337 FAX: 807-623-5692 EMAIL: info@stanworldwide.com WEB: www.stanworldwide.com		CAPACITY:		WEIGHT: N/A	
		SHEET: A		SHEET: 5 OF 16	
701 MONTREAL STREET THUNDER BAY, ON P7E 3P-2 CANADA TEL: 807-474-5337 FAX: 807-623-5692 www.stanworldwide.com		TITLE: TTN20TB12		DRAWING No:	
DATE		INTL		DESCRIPTION	
REV				REVISION:	

1

2