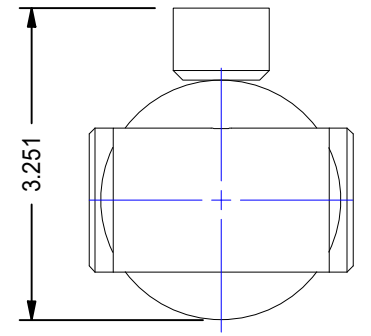
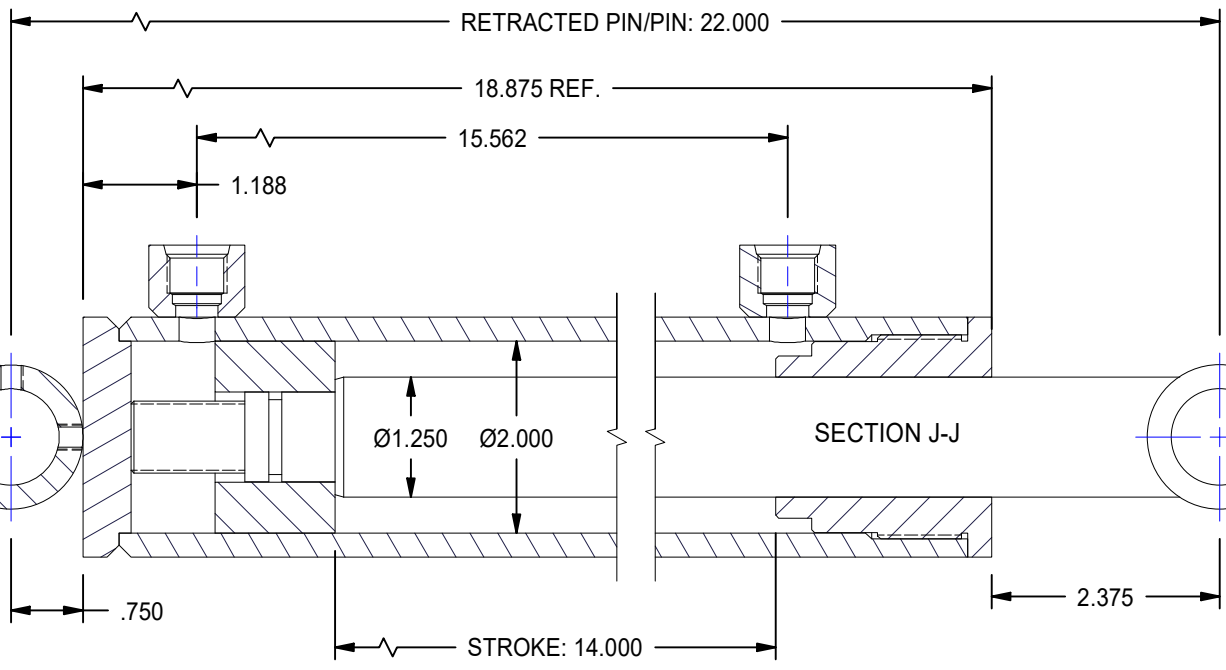
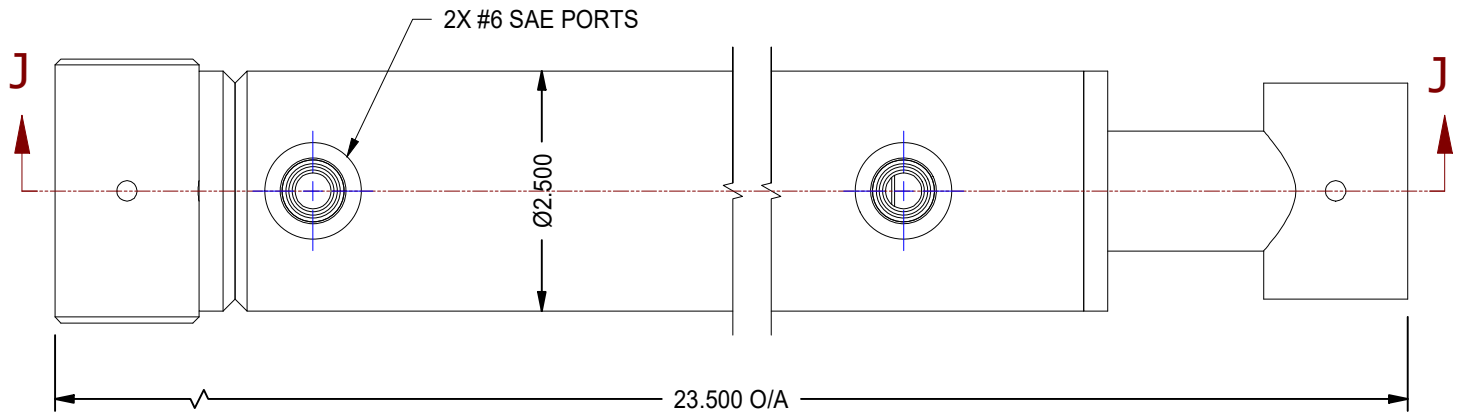


1

2



A

A


B

B

1

2

DATE	INTL	DESCRIPTION	REV

MODEL NUMBER:		PROJECT/CUSTOMER INFO:		DSGND: W.M	DATE: 2011-12-05
 TITAN WORLDWIDE INC. <small>31 rue 1878, Thunder Bay, ON P7E 3P2, CANADA</small> TEL: 807-474-5337 FAX: 807-423-5692 www.titanworldwide.com		CAPACITY:		WEIGHT: N/A	
		SHEET: A		SHEET: 6 OF 16	
701 MONTREAL STREET THUNDER BAY, ON P7E 3P2 CANADA TEL: 807-474-5337 FAX: 807-423-5692 www.titanworldwide.com		TITLE: 25MAL14-10 FABRICATION DRAWING		DRAWING No: 20MAL14	
					REVISION: