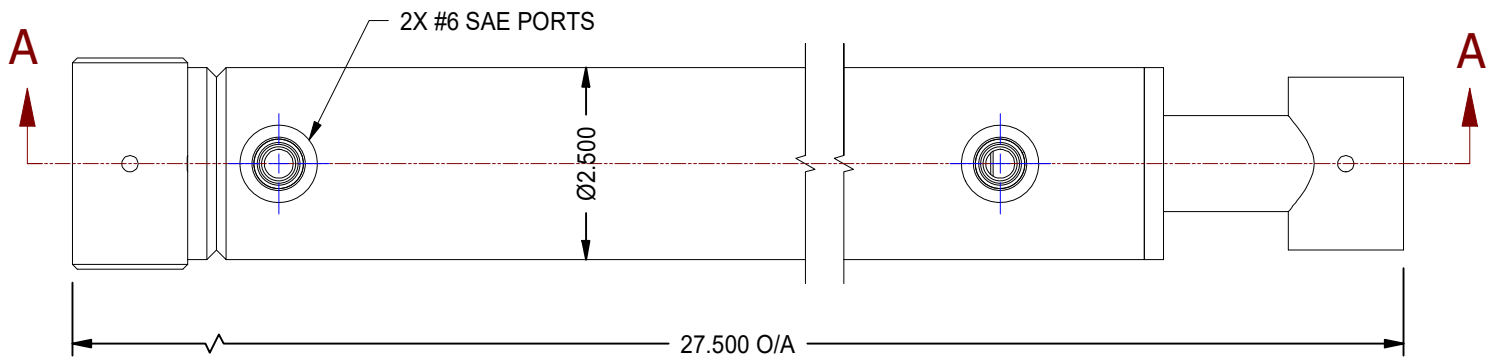


1

2

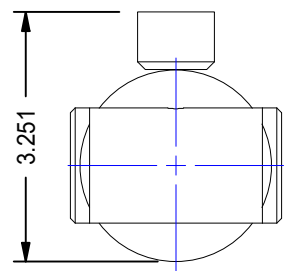
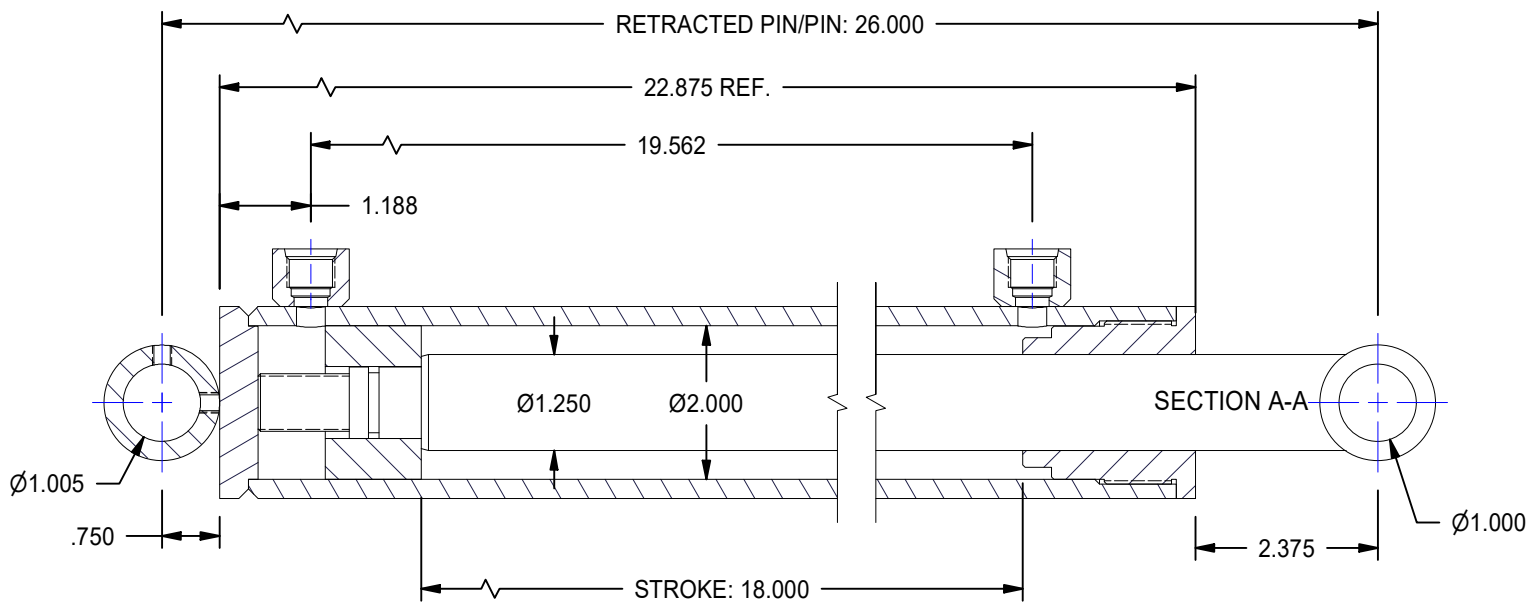



A

A

B

B



MODEL NUMBER:		PROJECT/CUSTOMER INFO:		DSGND:	DATE: 2011-12-05
 TITAN WORLDWIDE INC. <small>31 ton 2000L Clear fluid or glycol, in case of power. One that stands out for greatness of achievement!</small> PHONE: 807-474-5337 FAX: 807-623-5692 EMAIL: info@titanworldwide.com WEB: www.titanworldwide.com 701 MONTREAL STREET THUNDER BAY, ON P7E 3P-2 CANADA TEL: 807-474-5337 FAX: 807-623-5692 www.titanworldwide.com		CAPACITY:		WEIGHT: N/A	
		SHEET: A		SHEET: 8 OF 16	
TITLE: TTN20TB18		DRAWING No:		REVISION:	

1

2

DATE	INTL	DESCRIPTION	REV