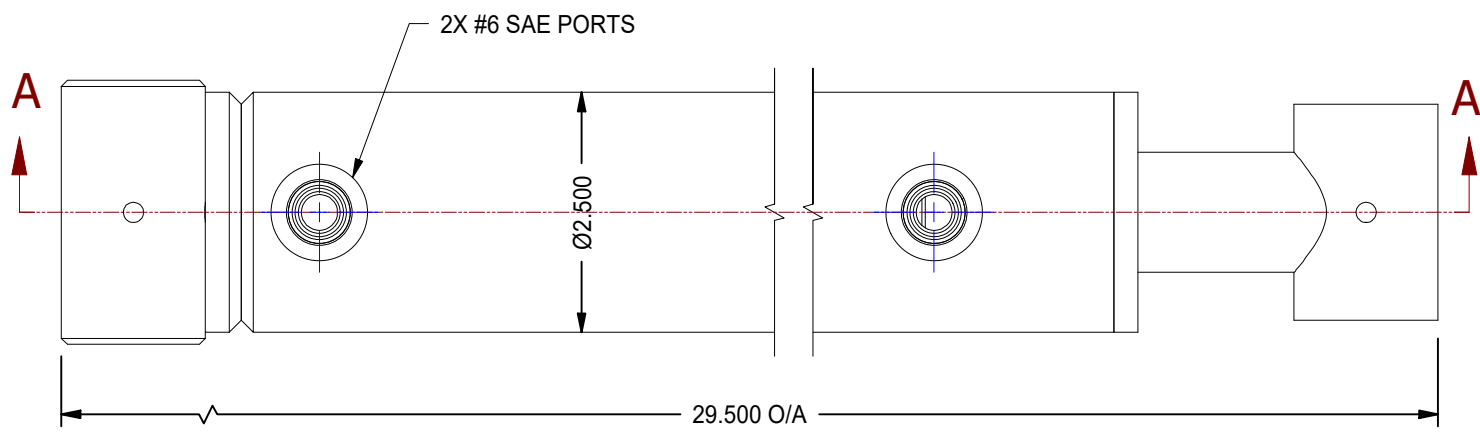


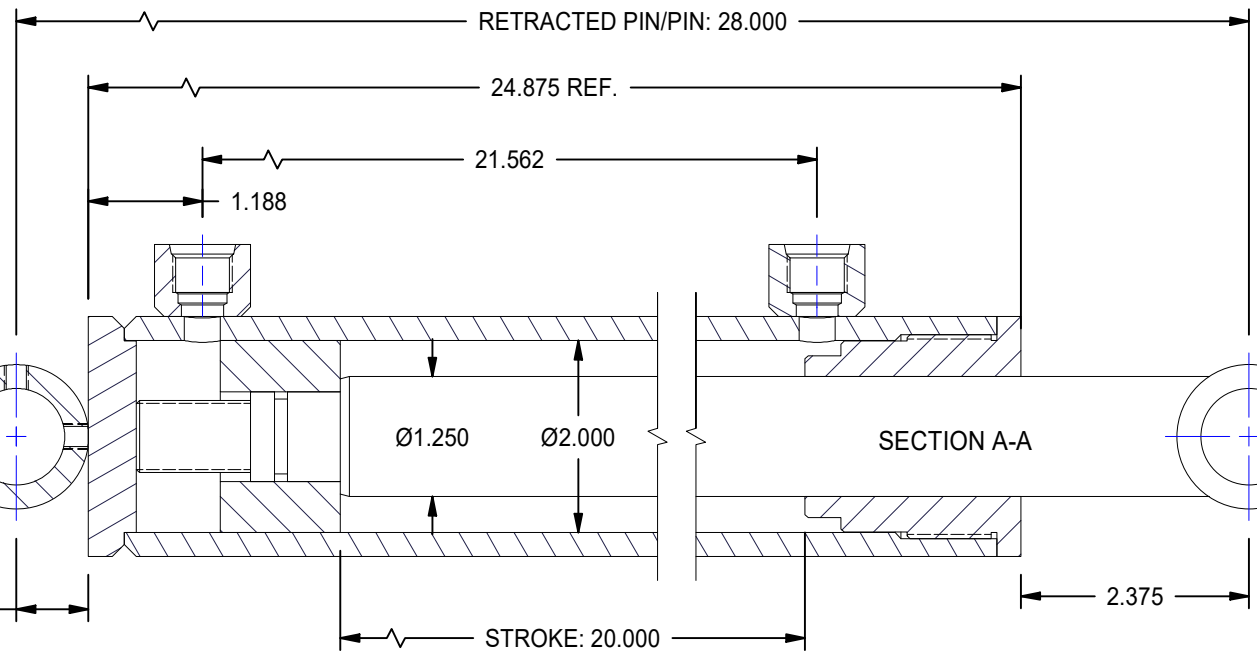
1

2



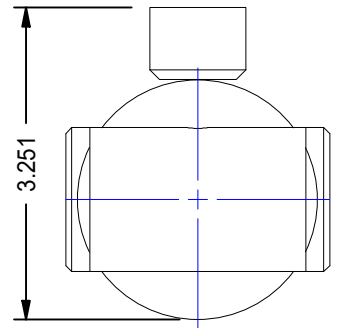
A

A



B


B



Ø1.005

.750

Ø1.000

MODEL NUMBER:		PROJECT/CUSTOMER INFO:		DSGND:	DATE: 2011-12-05
 TITAN WORLDWIDE INC. <small>31 rue 55th St. Clear Fall in liquid, in case of power. One that stands out for greatness in achievement!</small>		CAPACITY:		WEIGHT: N/A	
		SHEET: A		SHEET: 9 OF 16	
701 MONTREAL STREET THUNDER BAY, ON P7E 3P2 CANADA TEL: 807-474-5337 FAX: 807-623-5692 www.titanworldwide.com		TITLE: TTN20TB20		DRAWING No:	
DATE		INTL		DESCRIPTION	
REV					

1

2

