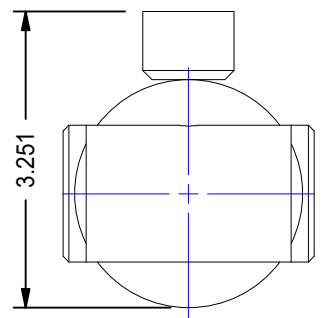
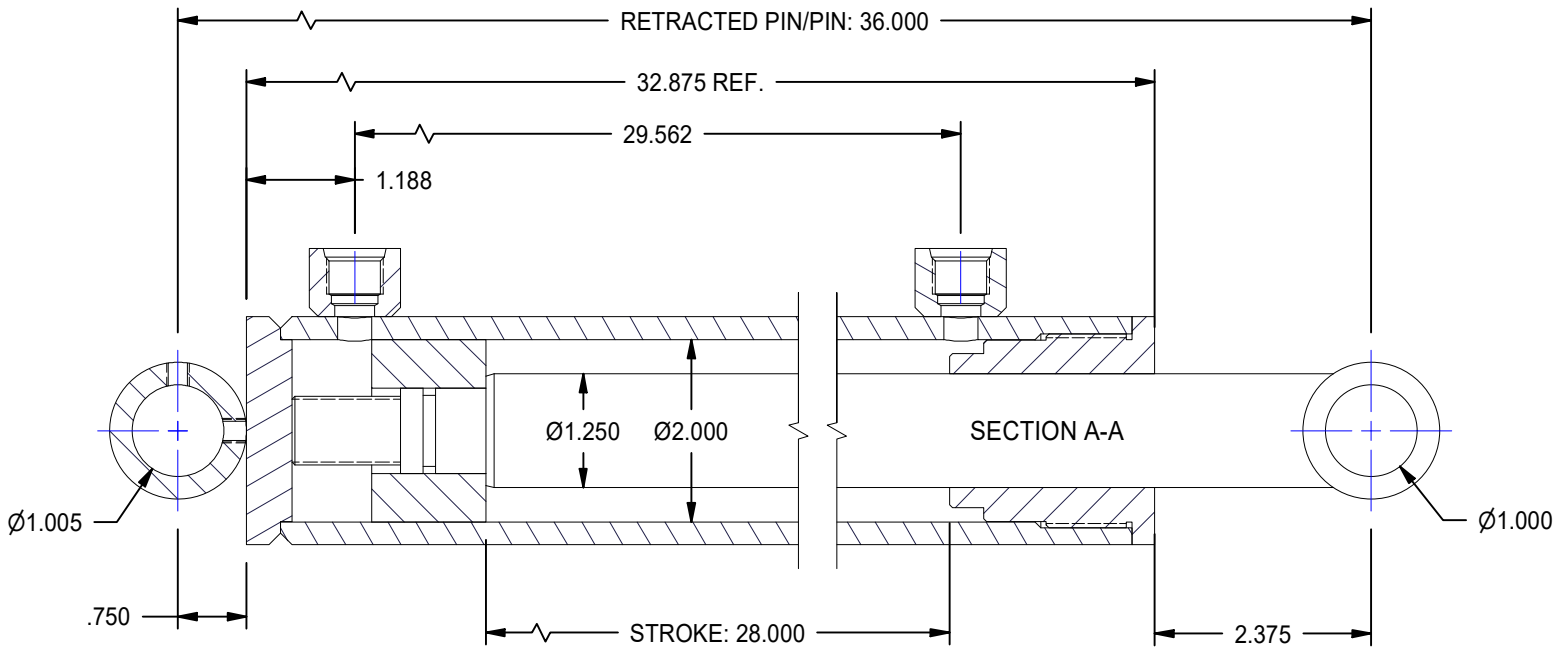
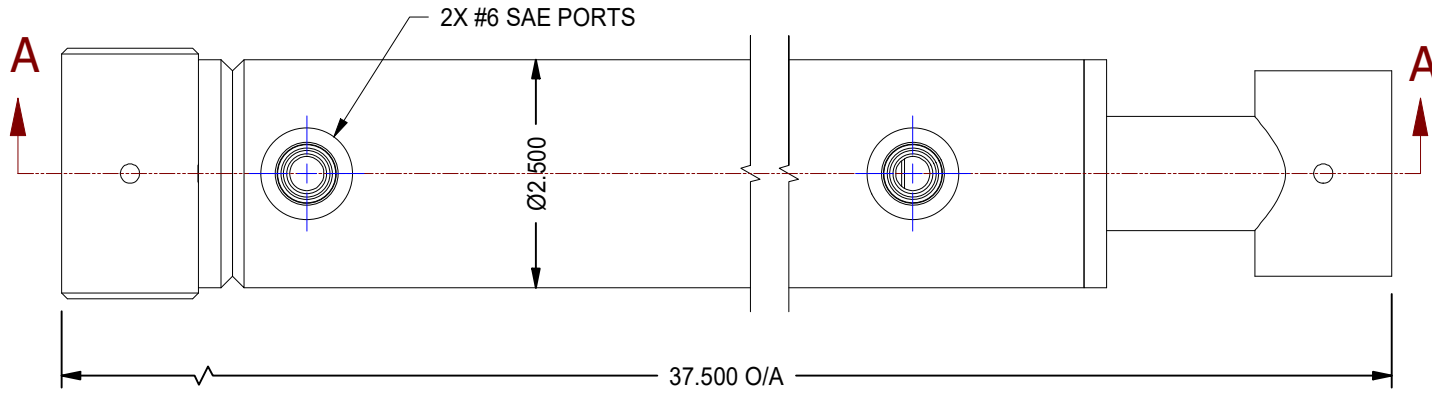



1

2



MODEL NUMBER:		PROJECT/CUSTOMER INFO:		DSGND:	DATE: 2011-12-05
 <b>TITAN WORLDWIDE INC.</b> <small>31 ton 5000 L</small> <small>Clear fluid or glycolic in case of power. One that stands out for greatness of achievement!</small> <small>PHONE: 807-474-5337 FAX: 807-623-5692 EMAIL: info@stanworldwide.com WEB: www.stanworldwide.com</small>		CAPACITY:		WEIGHT: N/A	
		SHEET: A SHEET: 11 OF 16 FILENAME: TTN20TBXX.idw		TITLE: TTN20TB28	
DRAWING No:				REVISION:	

DATE	INTL	DESCRIPTION	REV

1

2