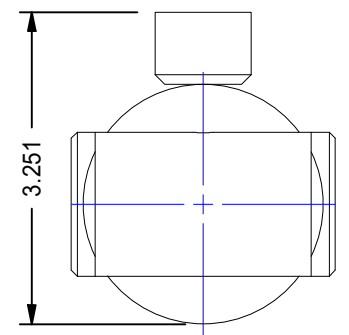
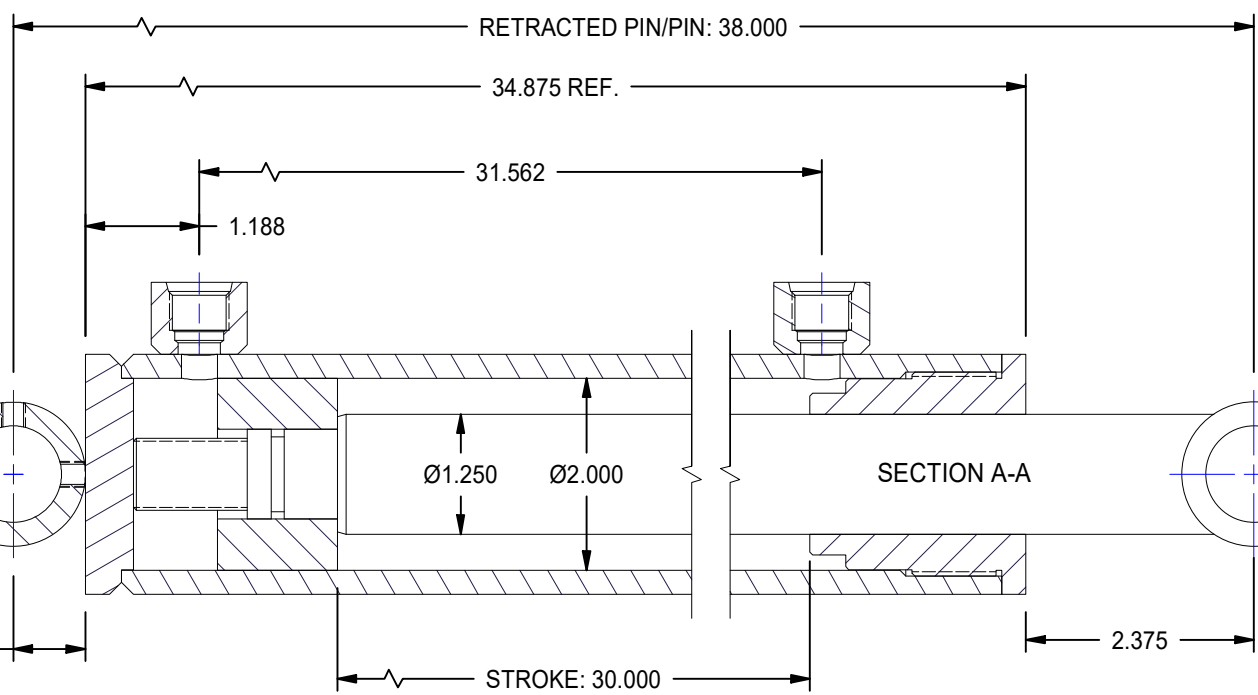
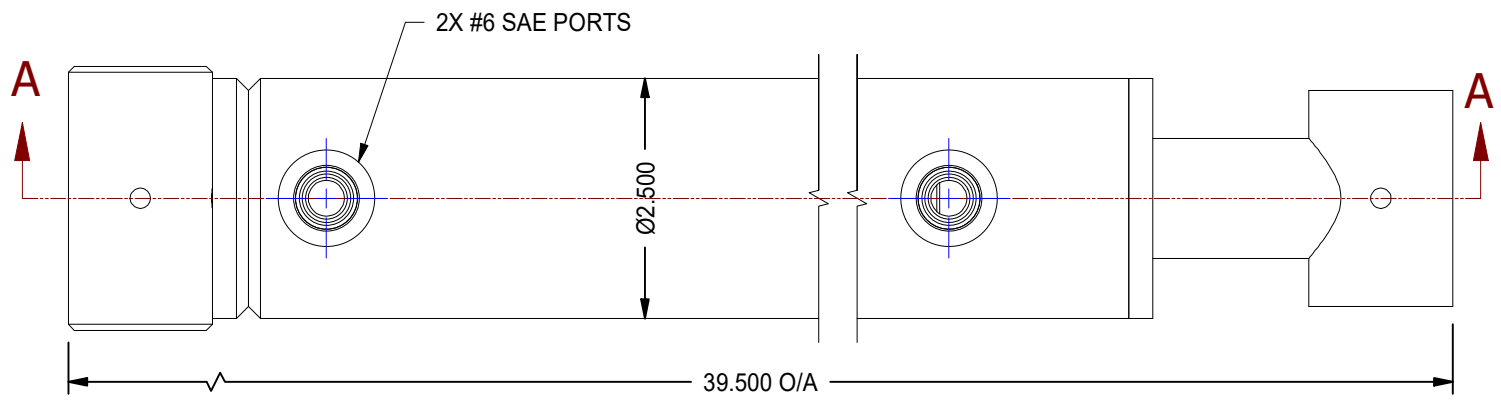



1

2



MODEL NUMBER:		PROJECT/CUSTOMER INFO:		DSGND:	DATE: 2011-12-05
 TITAN WORLDWIDE INC. <small>31 Sun Blvd. Clear Lake, CA 94631-1000 Clear Lake is adjacent to state of power. One that stands out for greatness of achievement!</small>		CAPACITY:		WEIGHT: N/A	
		SHEET SIZE: A		SHEET: 12 OF 16	FILENAME: TTN20TBXX.idw
701 MONTREAL STREET THUNDER BAY, ON P7E 3P-2 CANADA TEL: 807-474-5337 FAX: 807-423-5692 www.titanworldwide.com		TITLE: TTN20TB30		DRAWING No:	
DATE		INTL	DESCRIPTION	REV	REVISION:

1

2