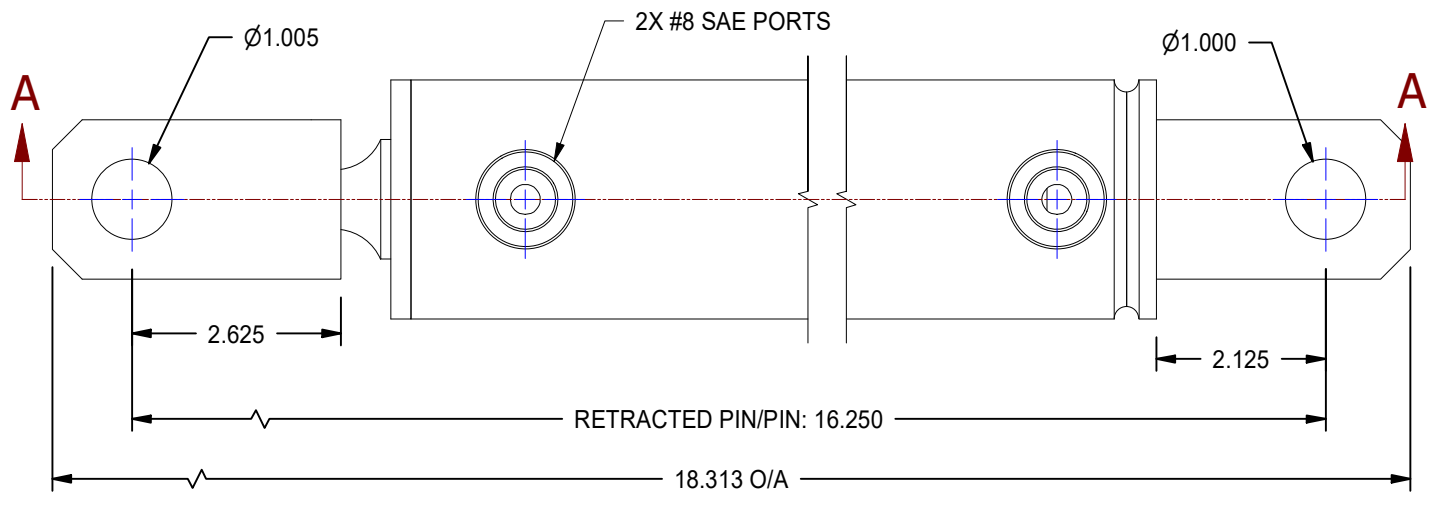


1

2

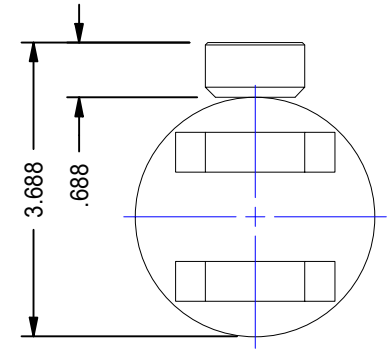
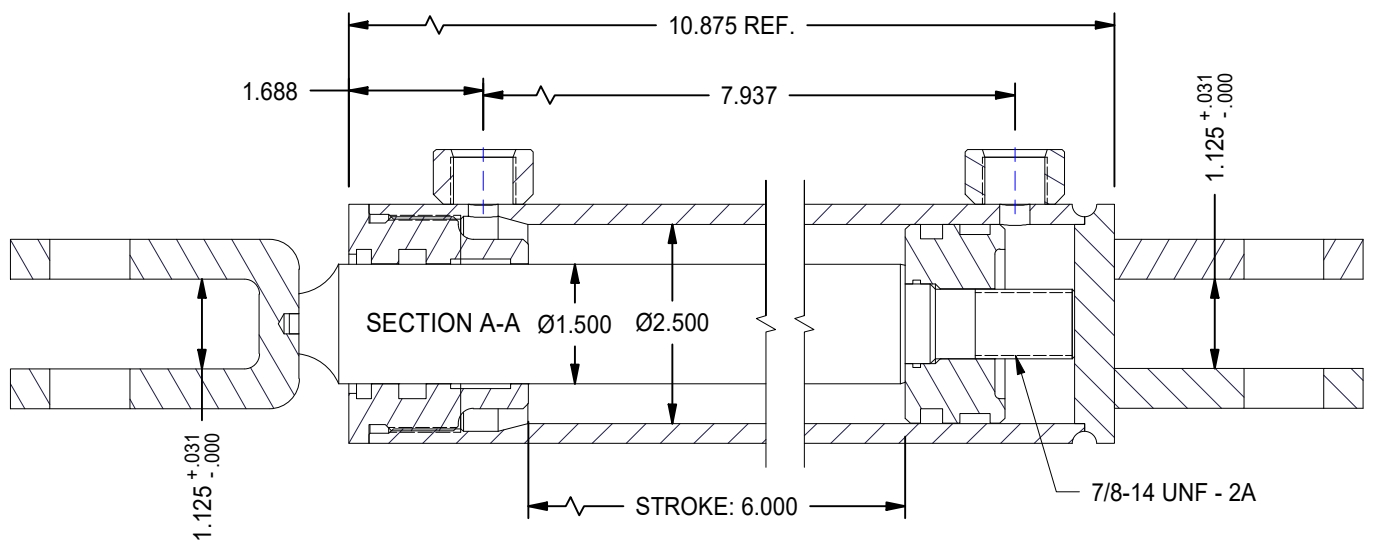


A

A

B

B



B

B

1

2

DATE	INTL	DESCRIPTION	REV

MODEL NUMBER:

TITAN WORLDWIDE INC.
31 Year ISO 9001
 Clear that is specific to date or power. One that stands out for
 greatness of achievement

PHONE: 807-474-5337 FAX: 807-623-5692 EMAIL: info@titanworldwide.com WEB: www.titanworldwide.com

701 MONTREAL STREET
 THUNDER BAY, ON
 P7E 3P2
 CANADA
 TEL: 807-474-5337
 FAX: 807-623-5692
 www.titanworldwide.com

PROJECT/CUSTOMER INFO:		DSGND:	DATE: 2012-01-02
CAPACITY:		WEIGHT: N/A	
SHEET SIZE: A	SHEET: 14 OF 15	FILENAME:	TTN25TBXX.idw
TITLE: TTN25BB06			
DRAWING No:			REVISION: