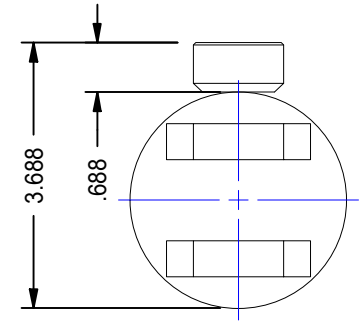
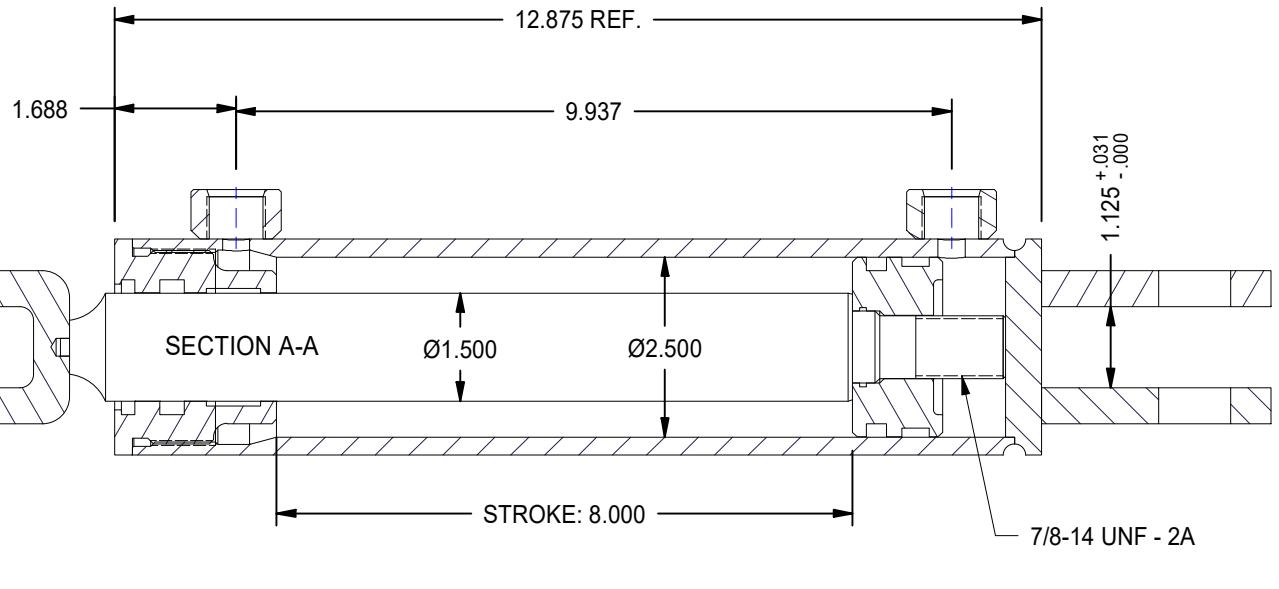
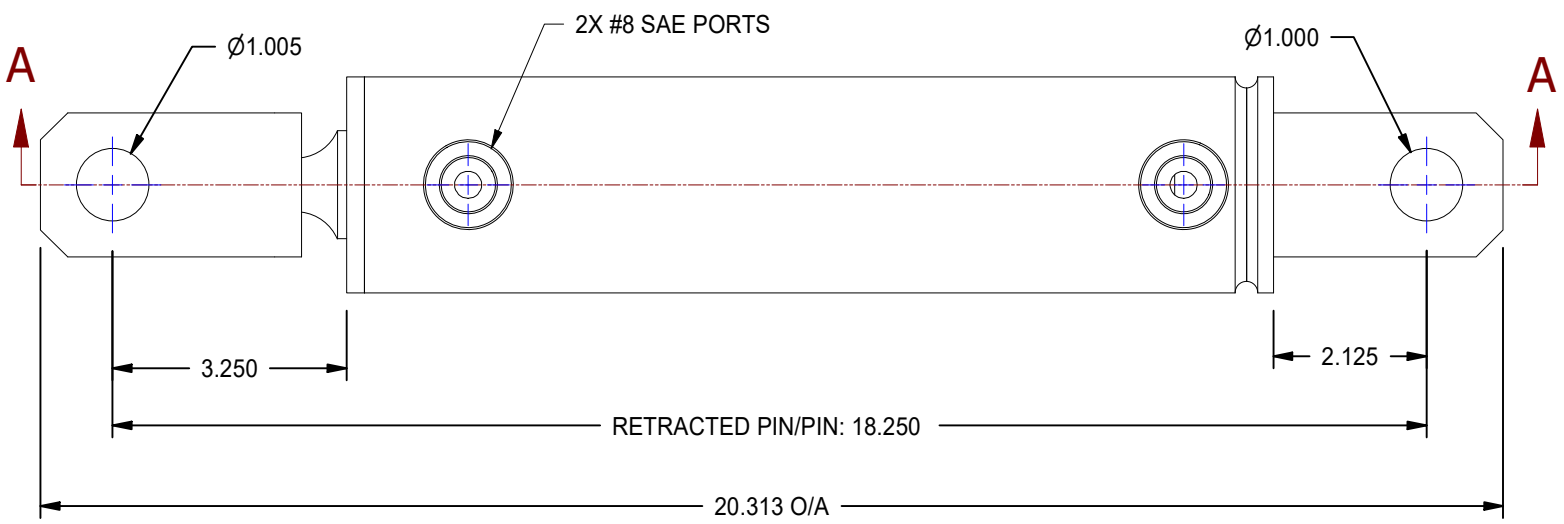


1

2



A

A


B

B

1

2

DATE	INTL	DESCRIPTION	REV

MODEL NUMBER:		PROJECT/CUSTOMER INFO:		DSGND:	DATE: 2012-01-02	
 TITAN WORLDWIDE INC. <small>31 Year ISO 9001</small> <small>Clear that all products, in stock or power. One that stands out for greatness of achievement!</small> <small>PHONE: 807-474-5337 FAX: 807-623-5692 EMAIL: info@titanworldwide.com WEB: www.titanworldwide.com</small>		CAPACITY:		WEIGHT: N/A		
		SHEET SIZE: A		SHEET: 13 OF 15	FILENAME: TTN25TBXX.idw	TITLE: TTN25BB08
701 MONTREAL STREET THUNDER BAY, ON P7E 3P-2 CANADA TEL: 807-474-5337 FAX: 807-623-5692 www.titanworldwide.com				DRAWING No:		REVISION: