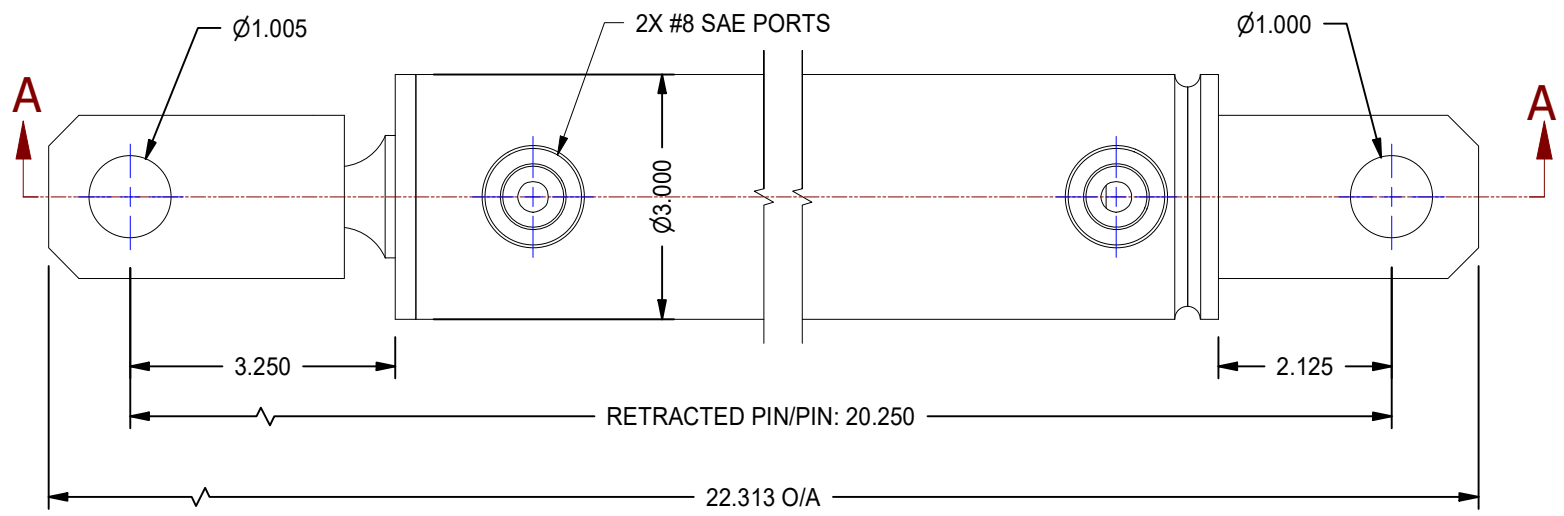


1

2

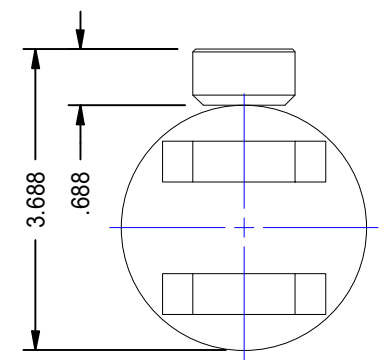
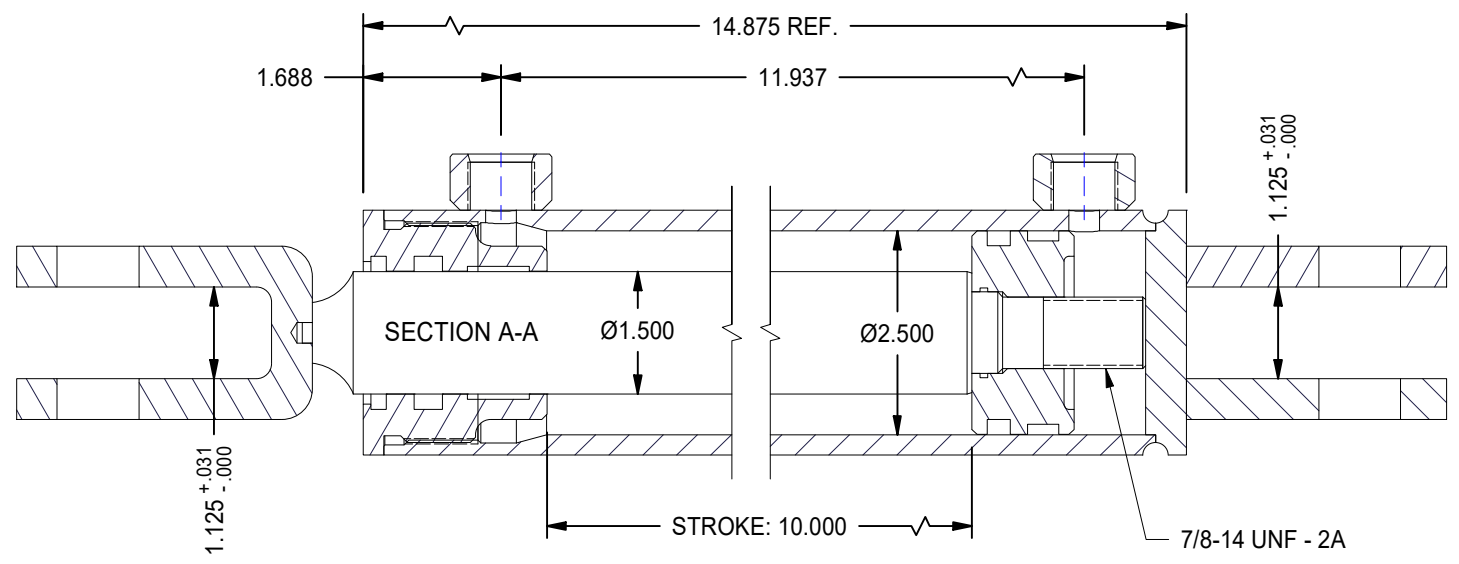



A

A

B

B



MODEL NUMBER:		PROJECT/CUSTOMER INFO:		DSGND:	DATE: 2012-01-02
 TITAN WORLDWIDE INC. <small>31 Year ISO 9001</small> <small>Clear that all products, in stock or power. One that stands out for greatness of achievement!</small> <small>PHONE: 807-474-5337 FAX: 807-623-5692 EMAIL: info@titanworldwide.com WEB: www.titanworldwide.com</small>		CAPACITY:		WEIGHT: N/A	
		SHEET SIZE: A		SHEET: 12 OF 15	FILENAME: TTN25TBXX.idw
701 MONTREAL STREET THUNDER BAY, ON P7E 3P-2 CANADA TEL: 807-474-5337 FAX: 807-623-5692 www.titanworldwide.com		TITLE: TTN25BB10		DRAWING No:	
DATE		INTL	DESCRIPTION	REV	REVISION:

1

2