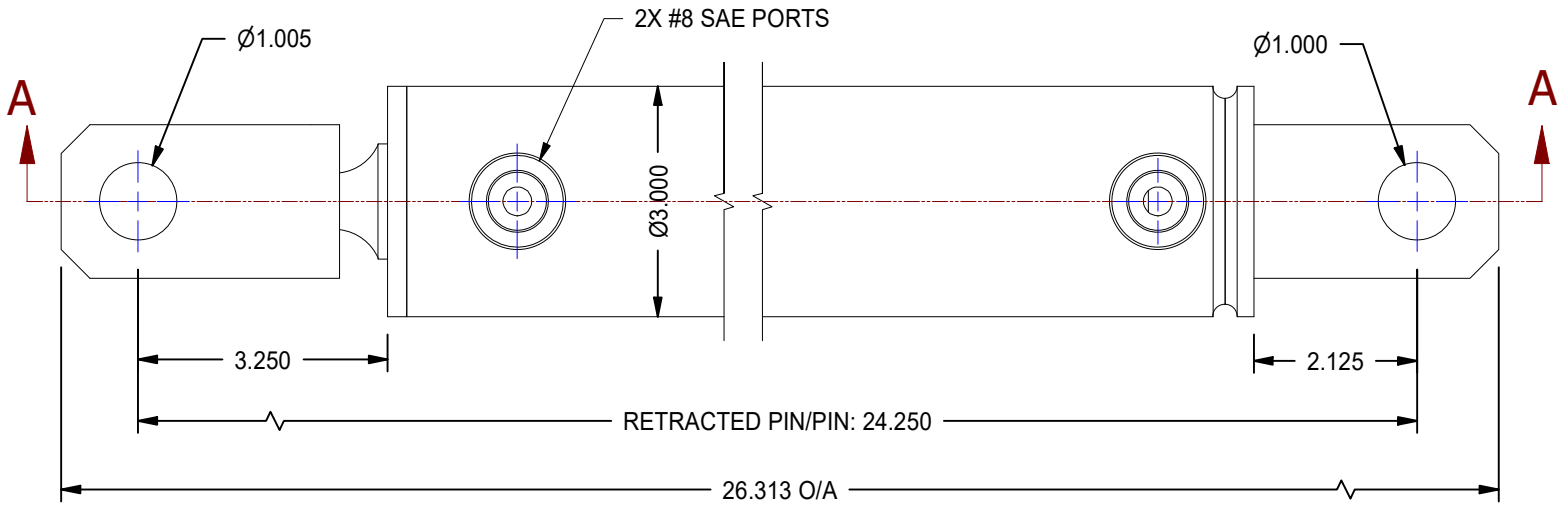


1

2

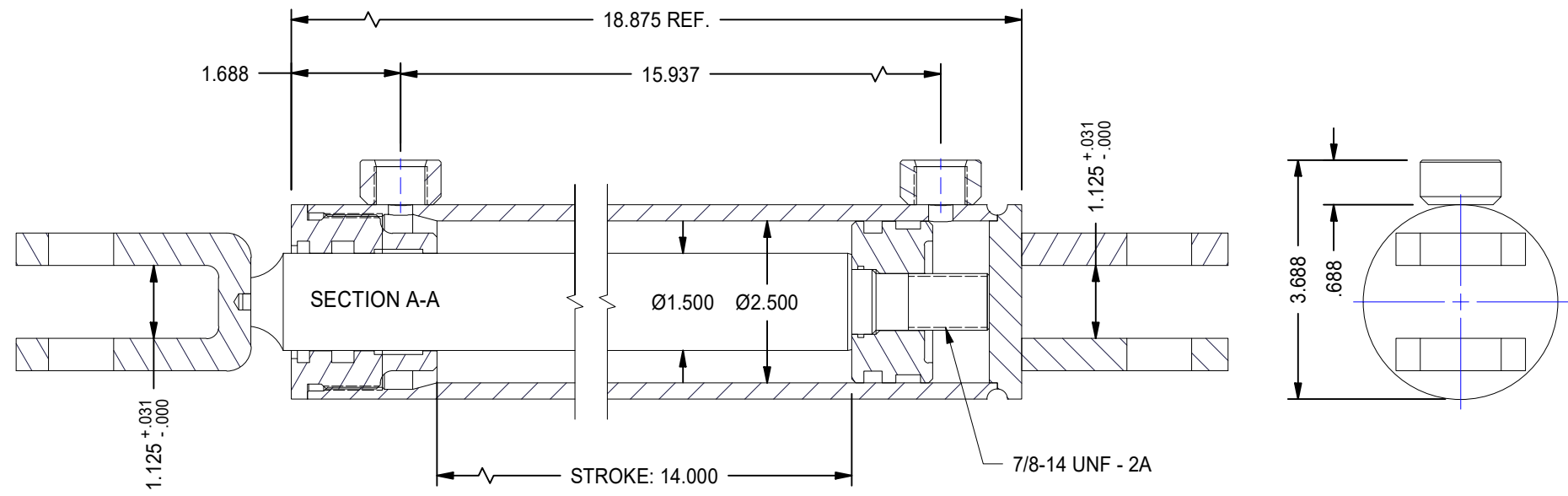



A

A

B

B



MODEL NUMBER:		PROJECT/CUSTOMER INFO:		DSGND: Owner	DATE: 2012-01-02
 <b>TITAN WORLDWIDE INC.</b> <small>31 rue 555 S.          Clear Fall or liquid, in case of power. One that stands out for          greatness of achievement!</small>		CAPACITY:		WEIGHT: N/A	
		SHEET: A		SHEET: 10 OF 15	FILENAME: TTN25TBXX.idw
701 MONTREAL STREET THUNDER BAY, ON P7E 3P-2 CANADA TEL: 807-474-5337 FAX: 807-423-5692 www.titanworldwide.com		TITLE: TTN25BB14		DRAWING No: 25FEM14	
DATE		INTL	DESCRIPTION	REV	REVISION:

1

2