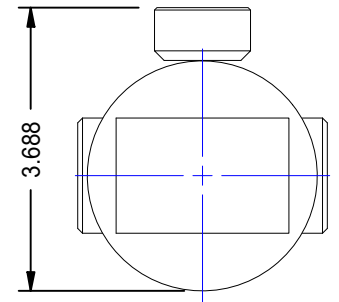
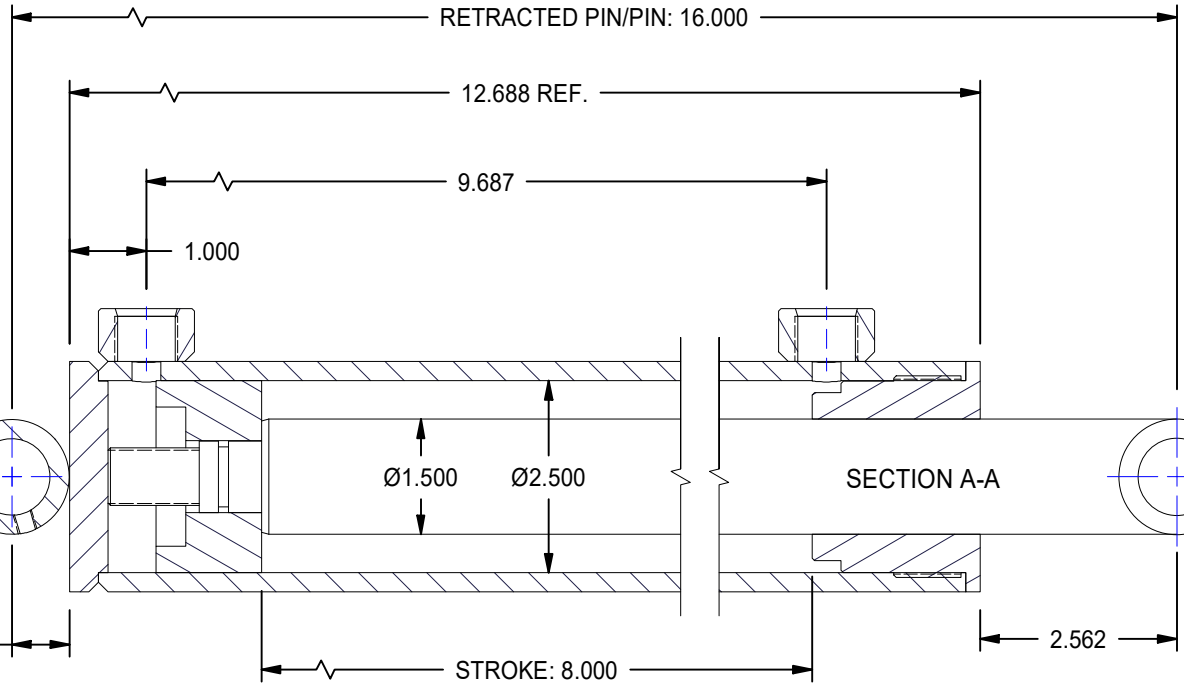
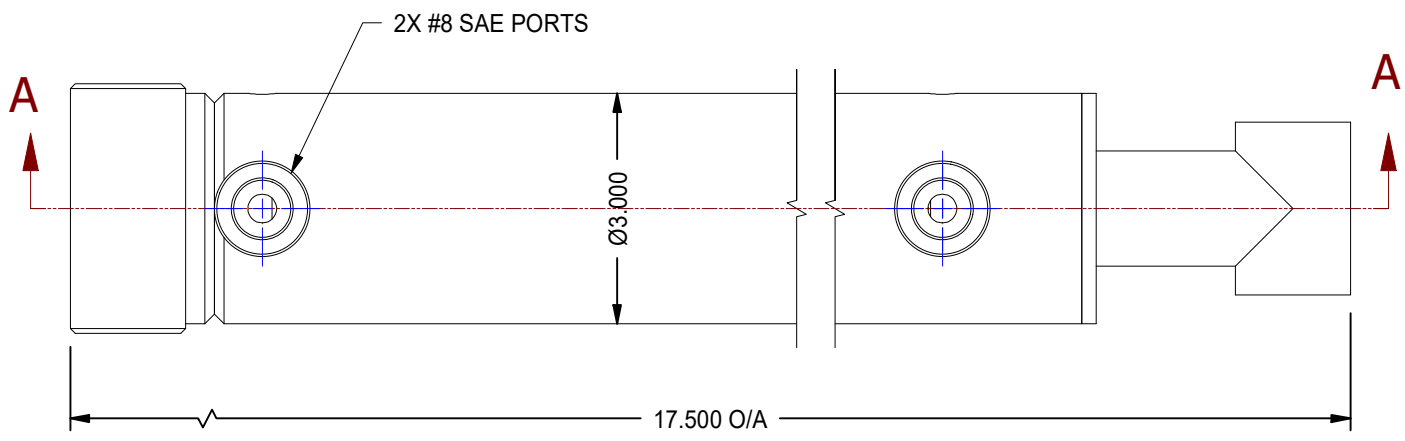


1

2




Ø1.000

Ø1.000

.750

2.562

MODEL NUMBER:		PROJECT/CUSTOMER INFO:		DSGND:	DATE: 2018-06-12
 TITAN WORLDWIDE INC. <small>31 Sun Blvd. Clear Lake, CA 94631 Clear Lake is registered in state of power. One that stands out for greatness of achievement!</small>		ENGINEER:	CAPACITY:	WEIGHT: N/A	
		SHEET: A SHEET: 3 OF 16 FILENAME: TTN25TBXX.idw		TITLE: TTN25TB08	
DRAWING No:				REVISION:	

DATE	INTL	DESCRIPTION	REV

1

2