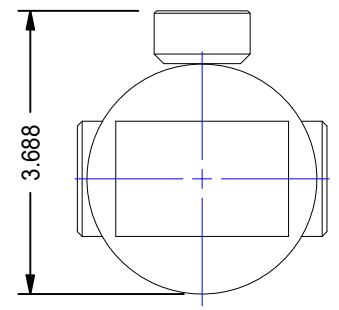
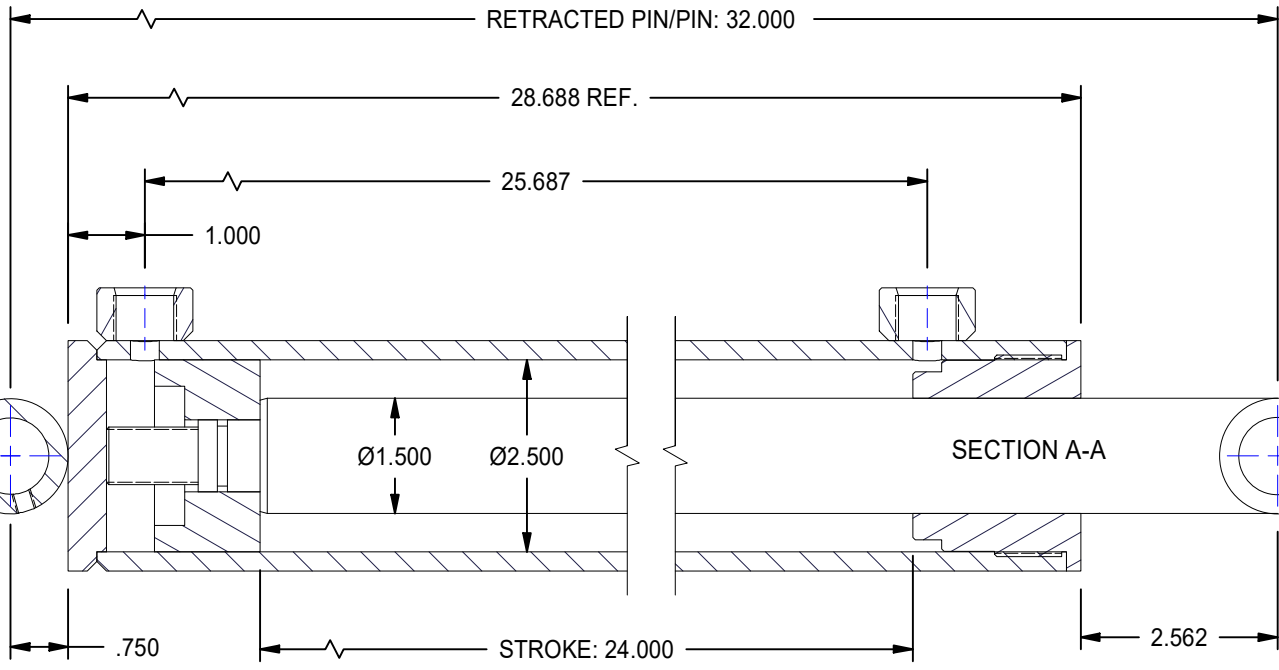
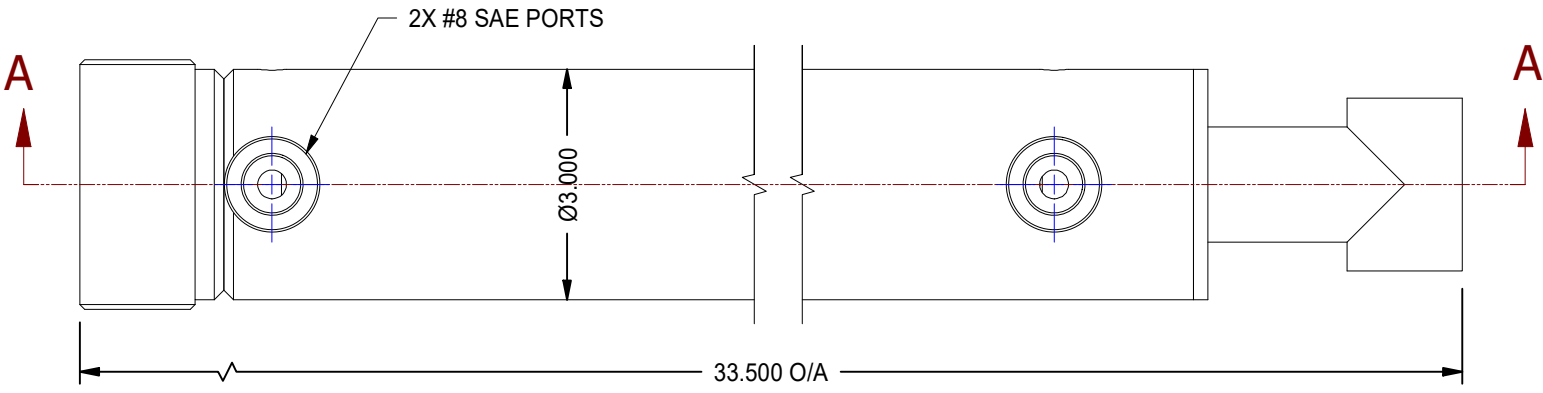



1

2



MODEL NUMBER:		PROJECT/CUSTOMER INFO:		DSGND:	DATE: 2018-06-12
 TITAN WORLDWIDE INC. <small>31 rue 555 S.</small> <small>Clear Fall in liquid, in case of power. One that stands out for greatness of achievement!</small> <small>PHONE: 807-474-5337 FAX: 807-423-5692 EMAIL: info@titanworldwide.com WEB: www.titanworldwide.com</small>		ENGINEER:	CAPACITY:	WEIGHT: N/A	
		SHEET: A SHEET: 10 OF 16 FILENAME: TTN25TBXX.idw		TITLE: TTN25TB24	
DRAWING No:				REVISION:	

DATE	INTL	DESCRIPTION	REV

1

2