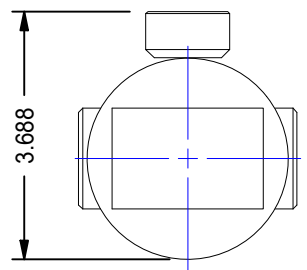
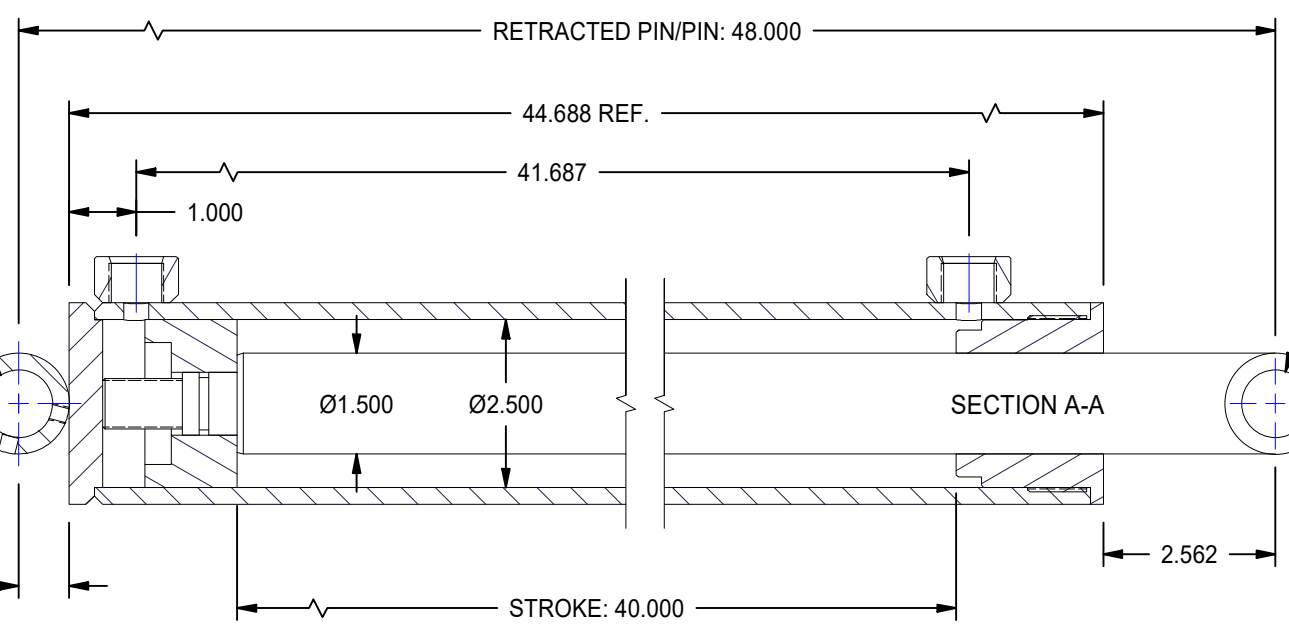
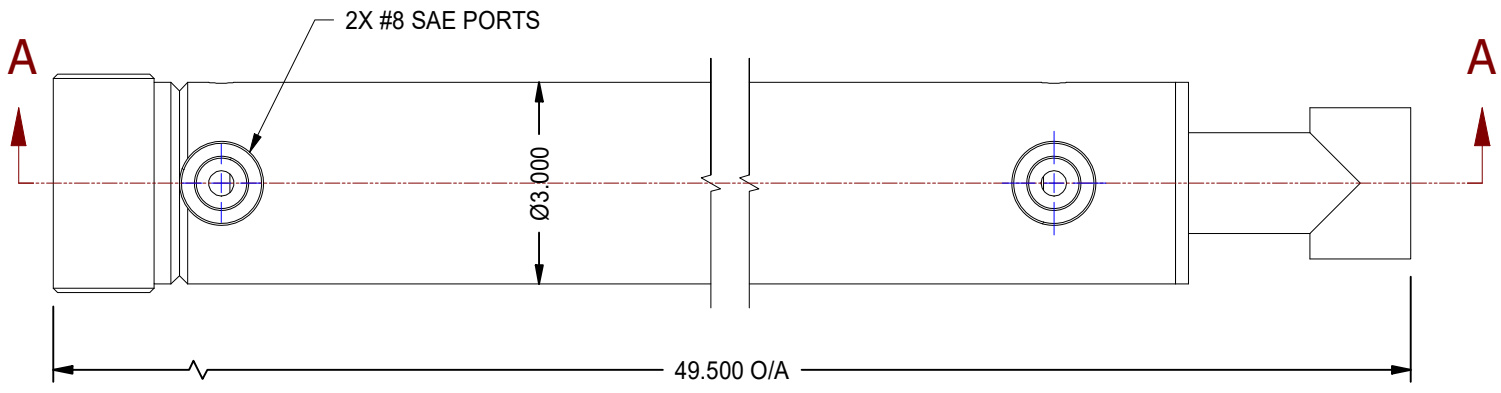



1

2



MODEL NUMBER:		PROJECT/CUSTOMER INFO:		DSGND:	DATE: 2018-06-12
 TITAN WORLDWIDE INC. <small>31 Year ISO 9001</small> <small>Clear that it operates in state or power. One that stands out for greatness of achievement!</small> <small>PHONE: 807-474-5337 FAX: 807-623-5692 EMAIL: info@titanworldwide.com WEB: www.titanworldwide.com</small>		ENGINEER:	CAPACITY:	WEIGHT: N/A	
		SHEET SIZE: A		SHEET: 15 OF 16	FILENAME: TTN25TBXX.idw
DRAWING No:				REVISION:	

DATE	INTL	DESCRIPTION	REV

1

2