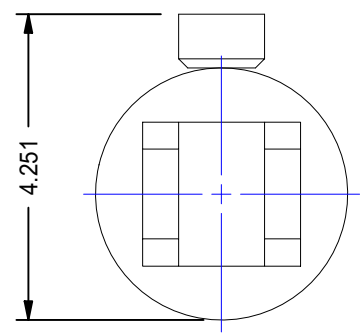
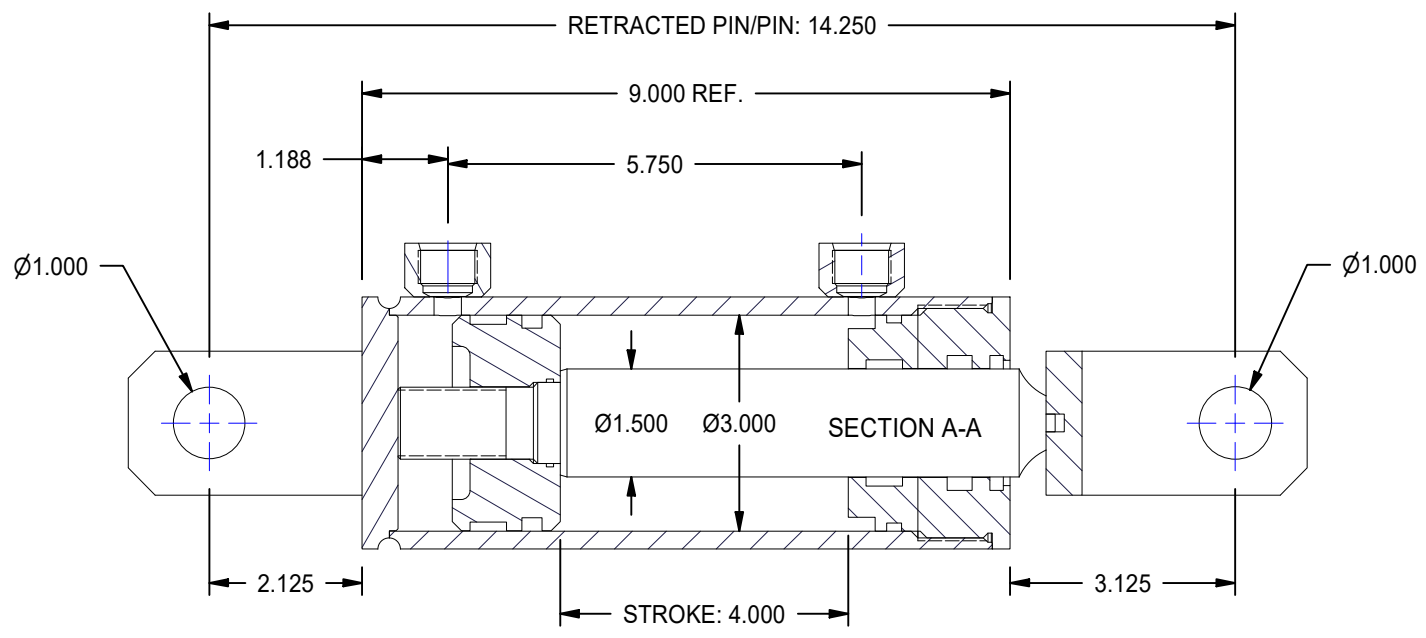
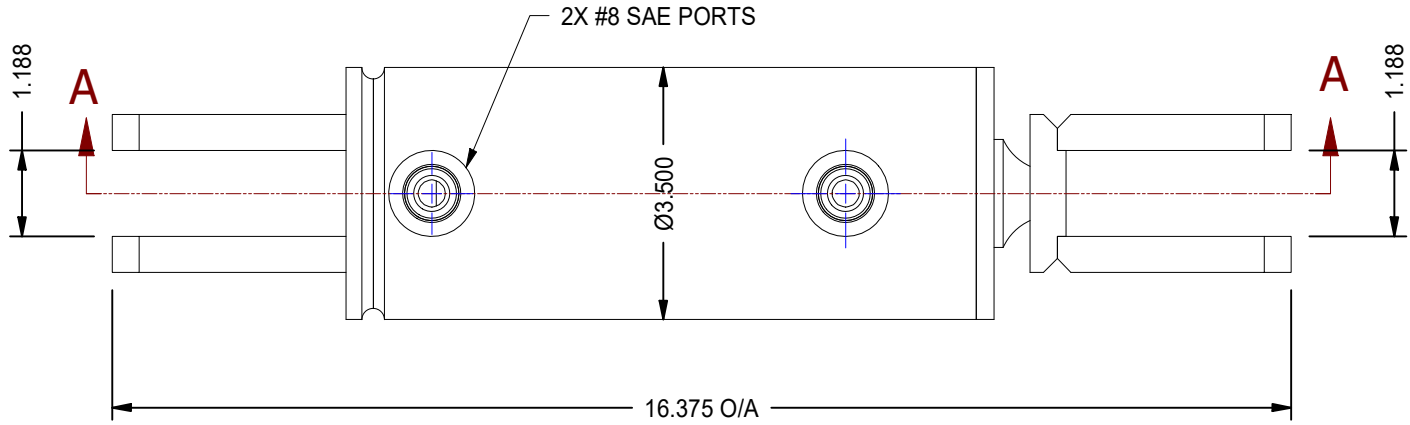


1

2



A


A

B

B

1

2

MODEL NUMBER:		PROJECT/CUSTOMER INFO:		DSGND: Owner	DATE: 2013-10-28
 TITAN WORLDWIDE INC. <small>31 rue 55th St.</small> <small>Clear Fall or Spring, in case of power. One that stands out for greatness of achievement!</small> <small>PHONE: 807-474-5337 FAX: 807-623-5692 EMAIL: info@titanworldwide.com WEB: www.titanworldwide.com</small>		CAPACITY		WEIGHT: N/A	
		SHEET SIZE: A		SHEET: 1 OF 16	
701 MONTREAL STREET THUNDER BAY, ON P7E 3P-2 CANADA TEL: 807-474-5337 FAX: 807-623-5692 www.titanworldwide.com		TITLE: WTG - 3B/1.5R-04S-BB_TH FABRICATION DRAWING			
DRAWING No: 30FEM04					REVISION:

DATE	INTL	DESCRIPTION	REV