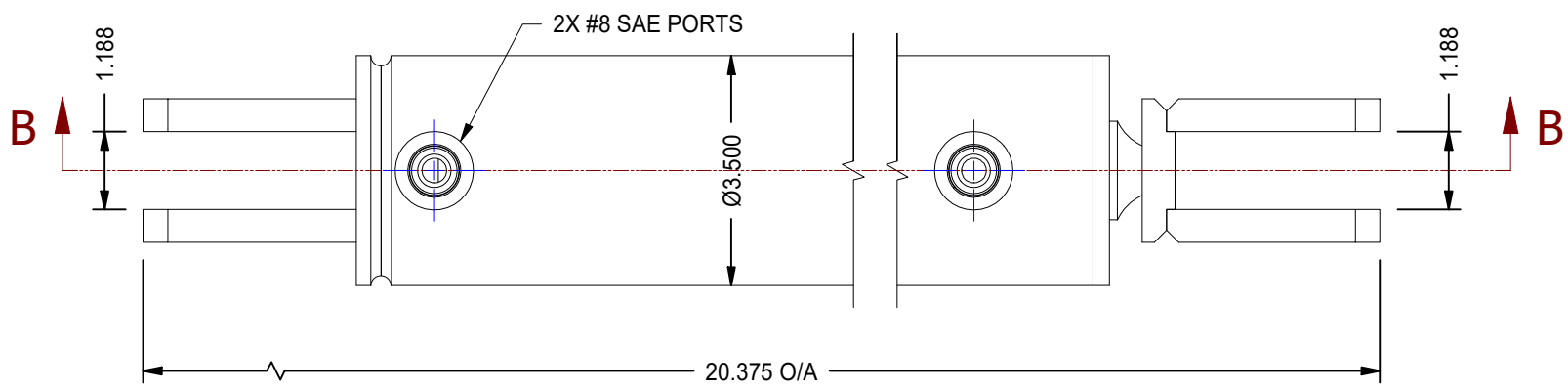


1

2

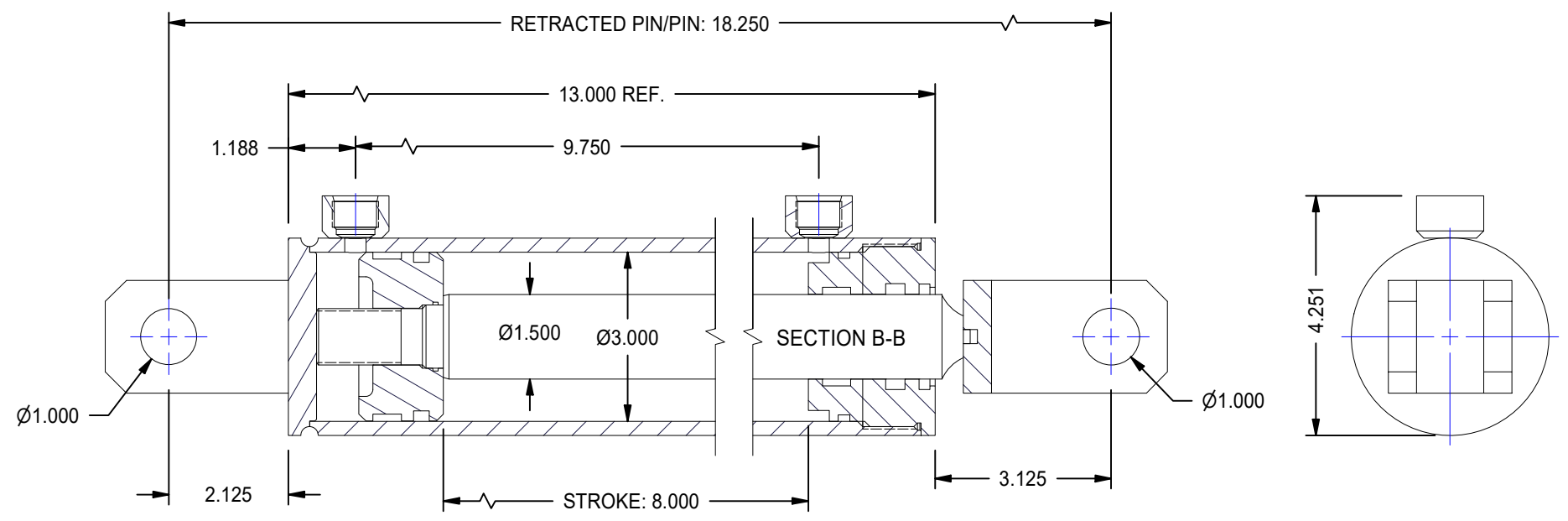


A

A

B

B



B

B

1

2

| DATE | INTL | DESCRIPTION | REV |
|------|------|-------------|-----|
|      |      |             |     |

MODEL NUMBER:

**TITAN WORLDWIDE INC.**  
31 Year ISO 9001  
 One full or partial day of power. One that stands out for  
 greatness of achievement

PHONE: 807-474-6337 FAX: 807-623-5692 EMAIL: info@titanworldwide.com WEB: www.titanworldwide.com

701 MONTREAL STREET  
 THUNDER BAY, ON  
 P7E 3P-2  
 CANADA  
 TEL: 807-474-6337  
 FAX: 807-623-5692  
 www.titanworldwide.com

|                        |                |                       |  |
|------------------------|----------------|-----------------------|--|
| PROJECT/CUSTOMER INFO: |                | DSGND: Owner          | DATE: 2013-10-28                                     |
| CAPACITY               |                | WEIGHT: N/A           |  |
| SHEET SIZE: A          | SHEET: 3 OF 16 | FILENAME: 30FEM10.idw | TITLE: WTG - 3B/1.5R-8S-BB_TH<br>FABRICATION DRAWING |
| DRAWING No: 30FEM08    |                |                       | REVISION:  |