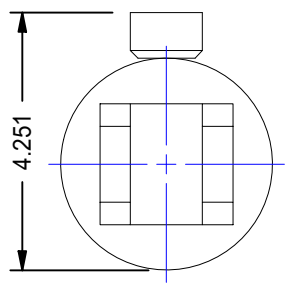
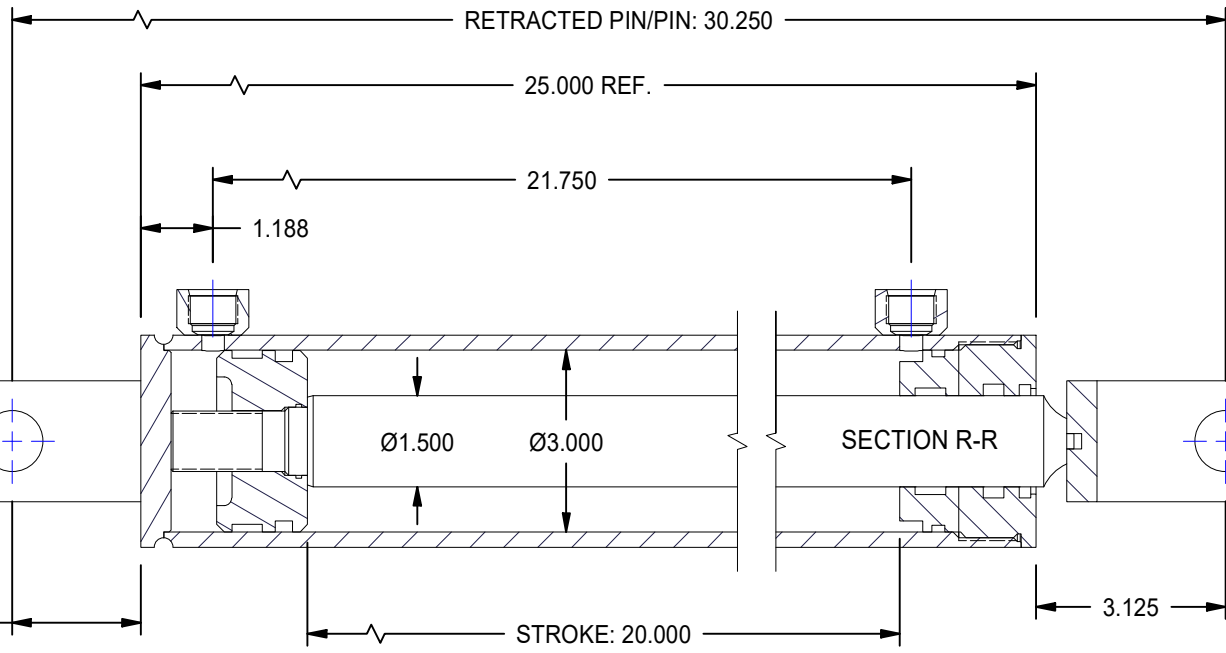
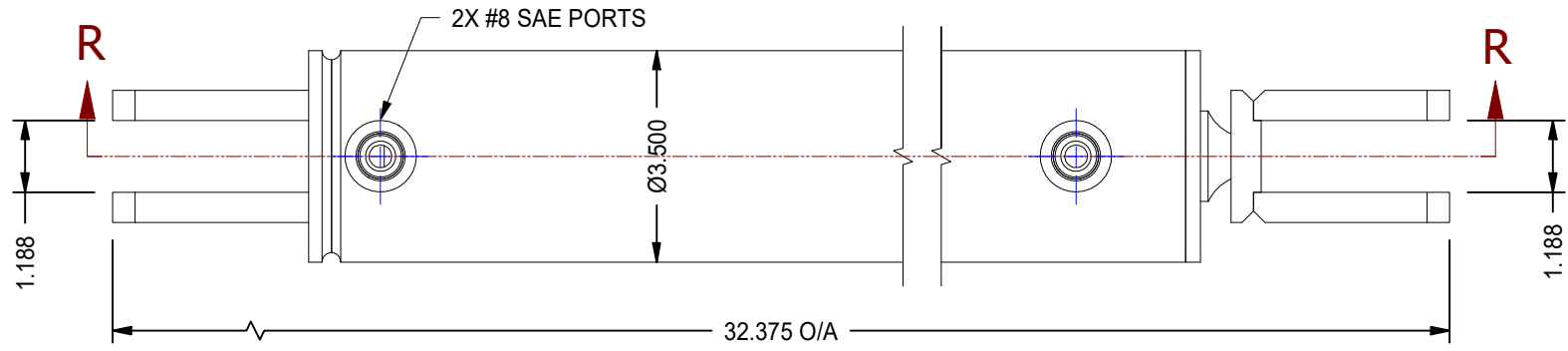


1

2




A

A

B

B

MODEL NUMBER:		PROJECT/CUSTOMER INFO:		DSGND: Owner	DATE: 2013-10-28
 TITAN WORLDWIDE INC. <small>31 rue 555 S.</small> <small>Clear Fall or liquid in case of power. One that stands out for greatness of achievement!</small> <small>PHONE: 807-474-5337 FAX: 807-623-5692 EMAIL: info@titanworldwide.com WEB: www.titanworldwide.com</small>		CAPACITY		WEIGHT: N/A	
		SHEET: A		SHEET: 9 OF 16	
701 MONTREAL STREET THUNDER BAY, ON P7E 3P-2 CANADA TEL: 807-474-5337 FAX: 807-623-5692 www.titanworldwide.com		TITLE: WTG - 3B/1.5R-20S-BB_TH FABRICATION DRAWING			
DATE		INTL		DESCRIPTION	
REV		DATE		REVISION	

1

2