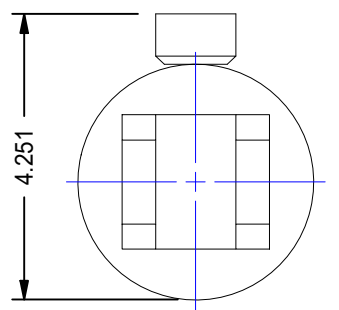
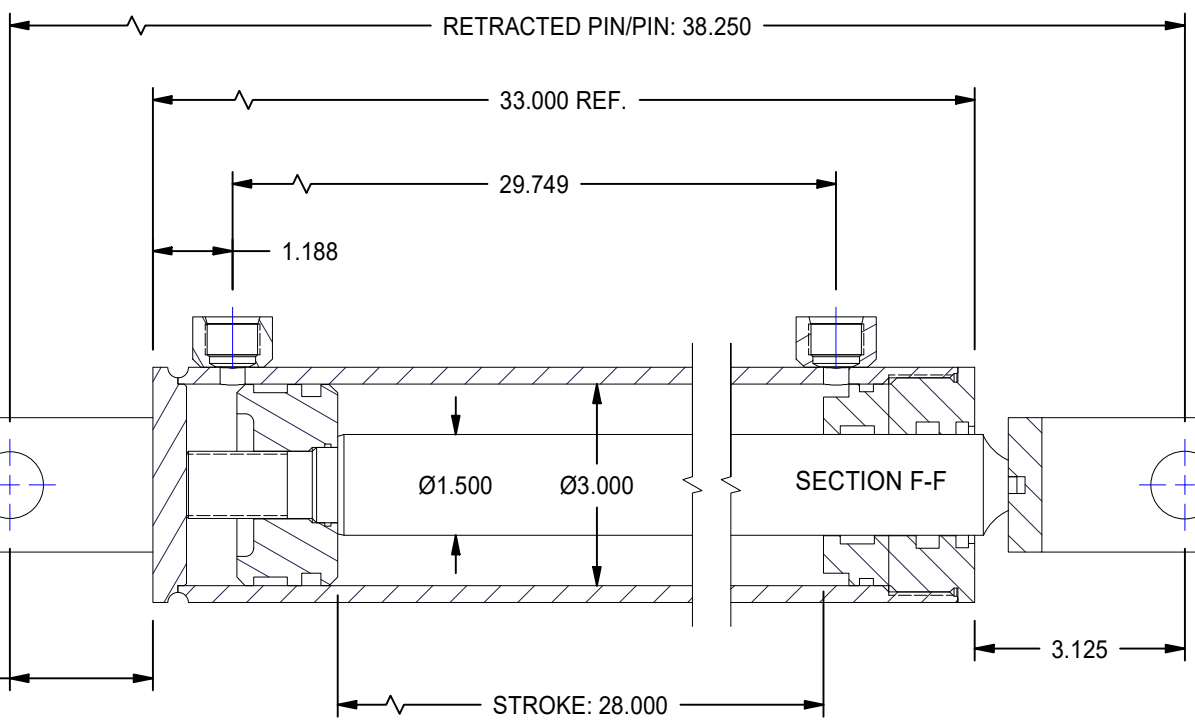
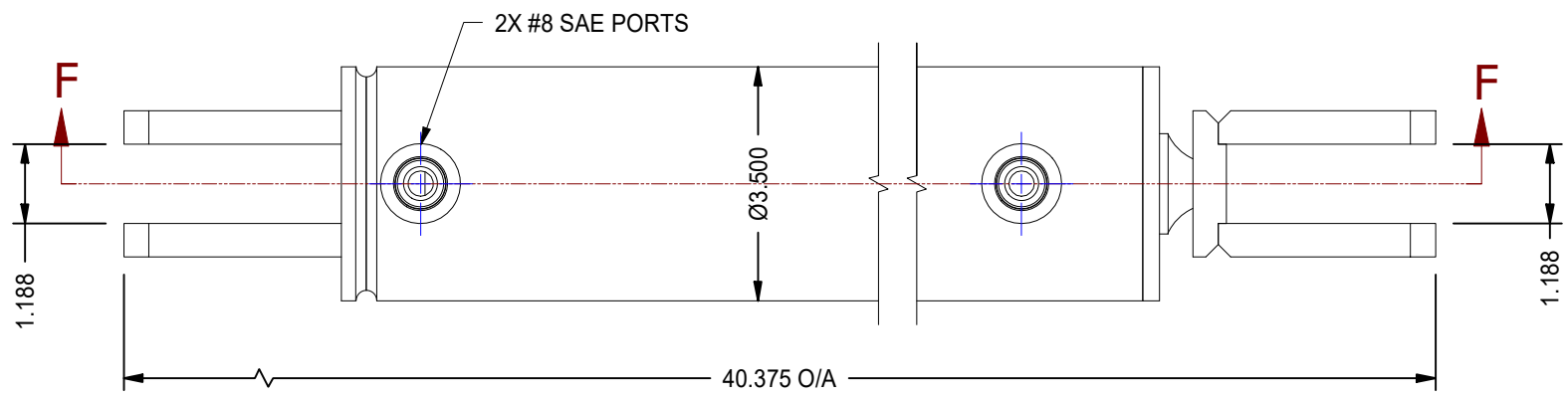


1

2




A

A

B

B

MODEL NUMBER:		PROJECT/CUSTOMER INFO:		DSGND: Owner	DATE: 2013-10-28
 <b>TITAN WORLDWIDE INC.</b> <small>31 Year ISO 9001          Clear Fall or Impact, in case of power. One that stands out for          greatness of achievement!</small>		CAPACITY		WEIGHT: 49.436 lbmass	
		SHEET SIZE: A		SHEET: 12 OF 16	
701 MONTREAL STREET THUNDER BAY, ON P7E 3P-2 CANADA TEL: 807-474-5337 FAX: 807-623-5692 www.titanworldwide.com		TITLE: WTG - 3B/1.5R-28S-BB_TH FABRICATION DRAWING			
DRAWING No: 30FEM28					REVISION:

DATE	INTL	DESCRIPTION	REV

1

2