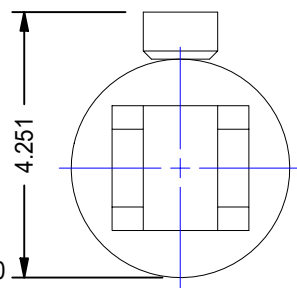
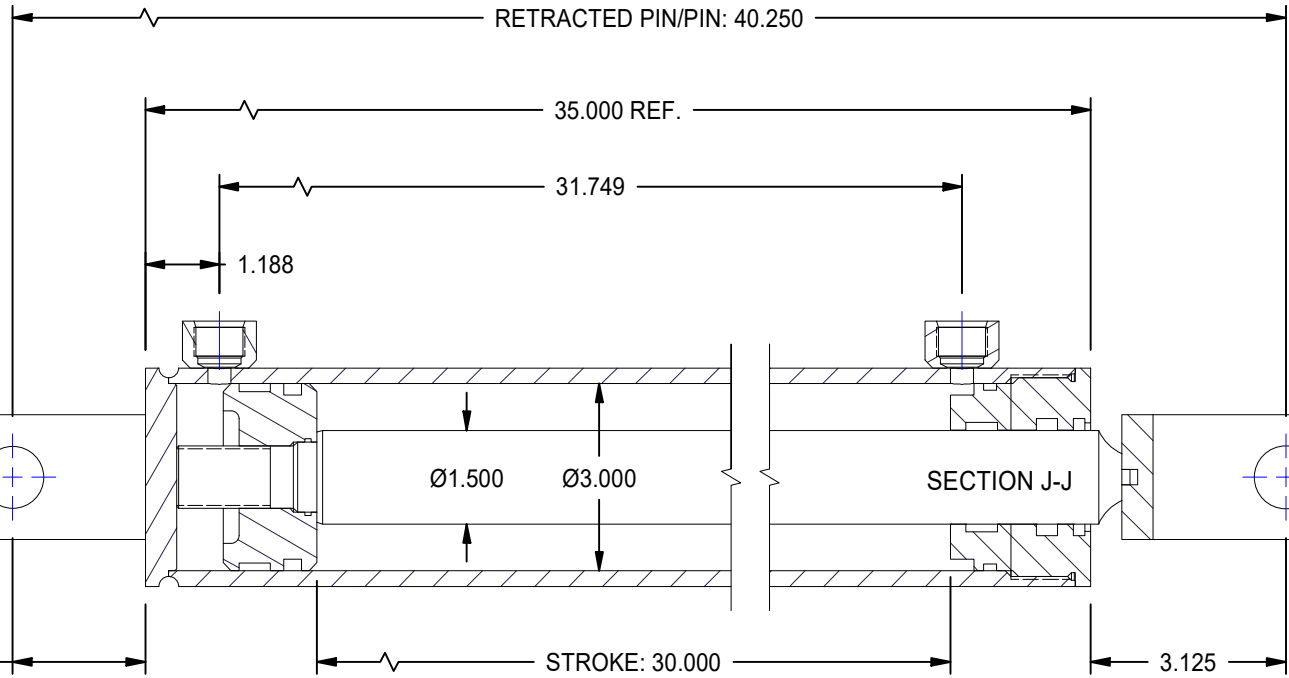
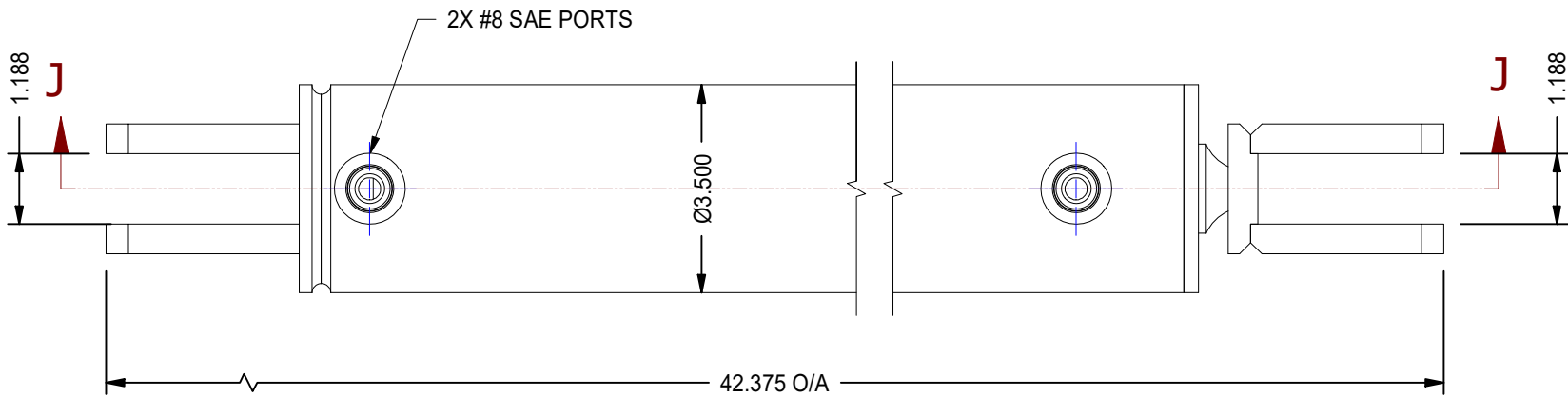



1

2



MODEL NUMBER:		PROJECT/CUSTOMER INFO:		DSGND: Owner	DATE: 2013-10-28
 TITAN WORLDWIDE INC. <small>31 Year ISO 9001 Clear title at specific to date or power. One that stands out for greatness of achievement!</small>		CAPACITY:		WEIGHT: N/A	
		SHEET SIZE: A		SHEET: 13 OF 16	FILENAME: 30FEM10.idw
701 MONTREAL STREET THUNDER BAY, ON P7E 3P-2 CANADA TEL: 807-474-5337 FAX: 807-623-5692 www.titanworldwide.com		TITLE: WTG - 3B/1.5R-30S-BB_TH FABRICATION DRAWING			
DRAWING No: 30FEM30					REVISION:

DATE	INTL	DESCRIPTION	REV

1

2