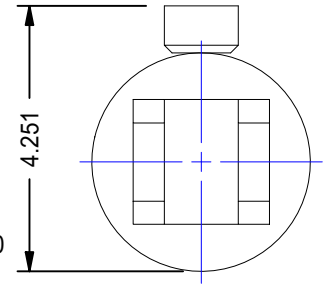
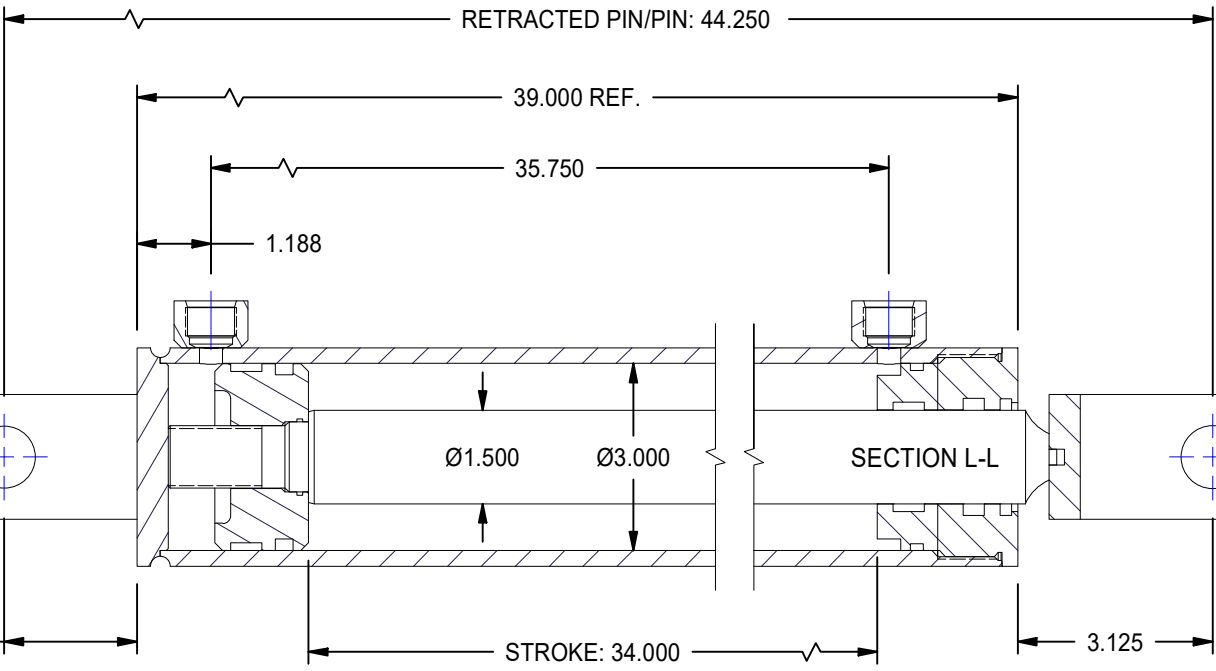
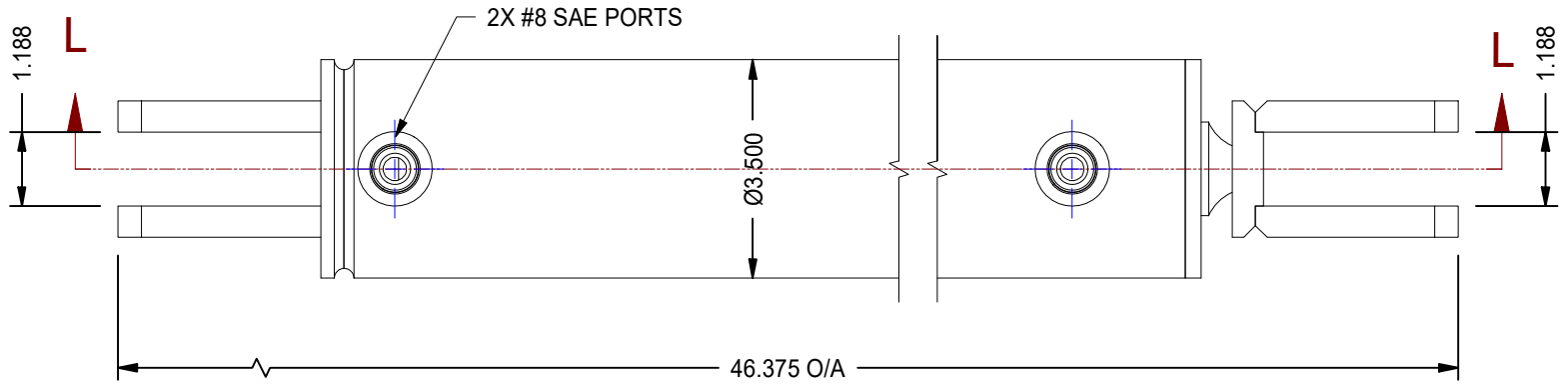


1

2



A


A

B

B

1

2

MODEL NUMBER:		PROJECT/CUSTOMER INFO:		DSGND: Owner	DATE: 2013-10-28
 TITAN WORLDWIDE INC. <small>71 ton lifts Clear lift at 90 degrees in one or power. One that stands out for greatness of achievement!</small> PHONE: 807-474-5337 FAX: 807-623-5692 EMAIL: info@titanworldwide.com WEB: www.titanworldwide.com		CAPACITY		WEIGHT: N/A	
		SHEET SIZE: A		SHEET: 15 OF 16	
701 MONTREAL STREET THUNDER BAY, ON P7E 3P-2 CANADA TEL: 807-474-5337 FAX: 807-623-5692 www.titanworldwide.com		TITLE: WTG - 3B/1.5R-34S-BB_TH FABRICATION DRAWING			
DATE		INTL		DESCRIPTION	
REV		DRAWING No:		REVISION:	
		30FEM34			