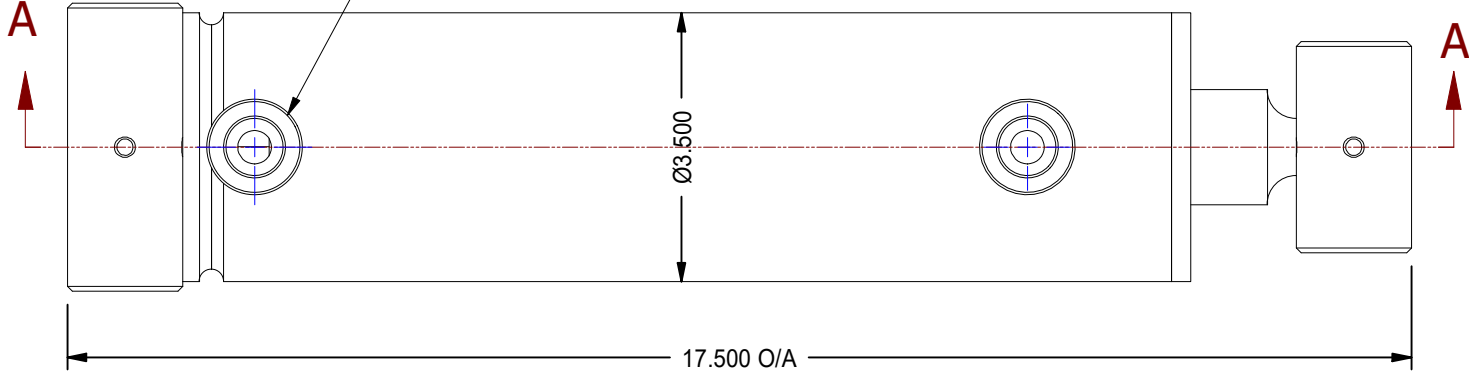


1

2

2X #8 SAE PORTS



A

A

B

B

RETRACTED PIN/PIN: 16.000

13.125 REF.

10.062

.938

$\varnothing 1.000$

.750

$\varnothing 1.500$

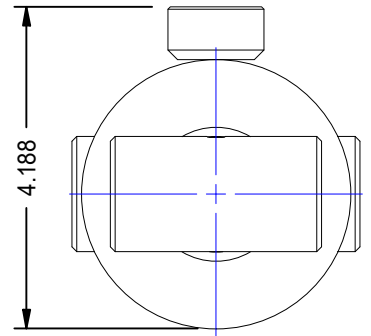
$\varnothing 3.000$

SECTION A-A

$\varnothing 1.000$

2.125

STROKE: 8.000



MODEL NUMBER:



TITAN WORLDWIDE INC.

PHONE: 807-474-5337 FAX: 807-623-5692 EMAIL: info@titanworldwide.com WEB: www.titanworldwide.com

701 MONTREAL STREET
THUNDER BAY, ON
P7E 3P-2
CANADA
TEL: 807-474-5337
FAX: 807-623-5692
www.titanworldwide.com

PROJECT/CUSTOMER INFO:

DSGND: DATE: 2010-08-12

CAPACITY

WEIGHT: N/A

SHEET SIZE: A

SHEET: 14 OF 15

FILENAME:

TTN30TBXX.idw

TITLE:

TTN30TB08

DRAWING No:

REVISION:

DATE	INTL	DESCRIPTION	REV

1

2