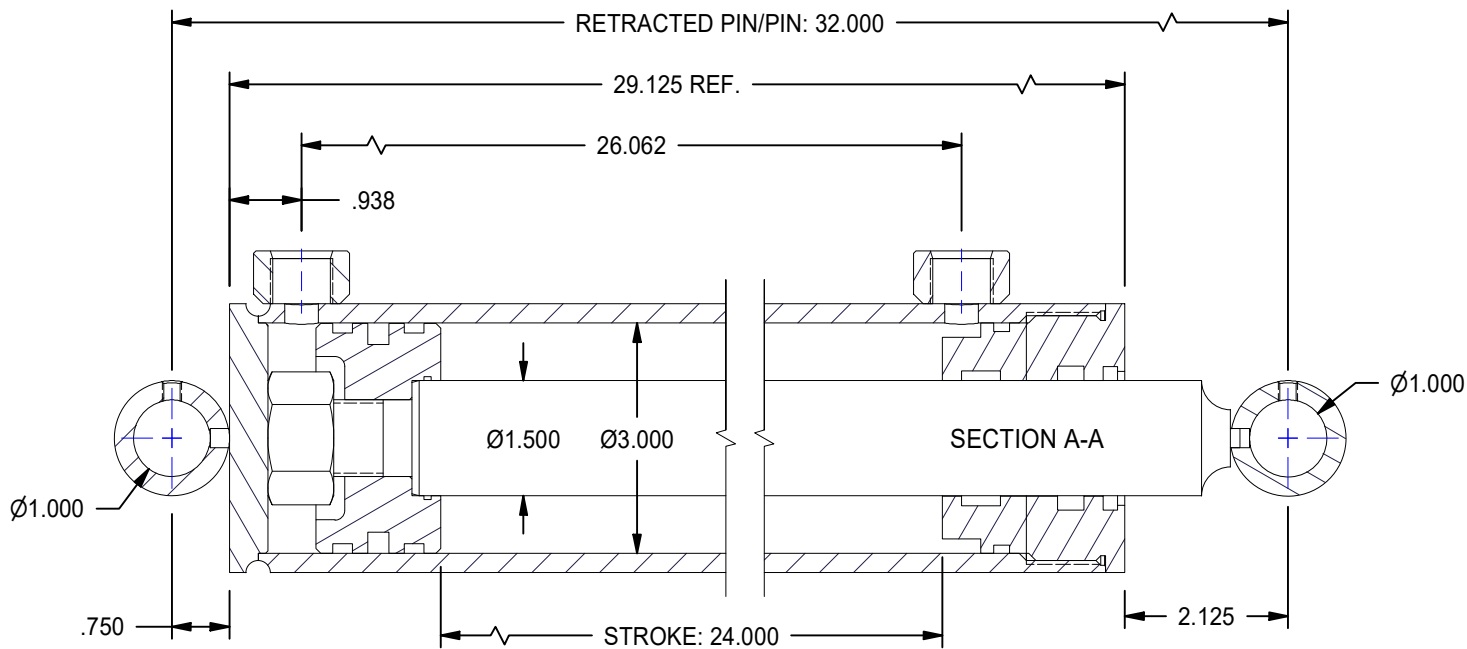
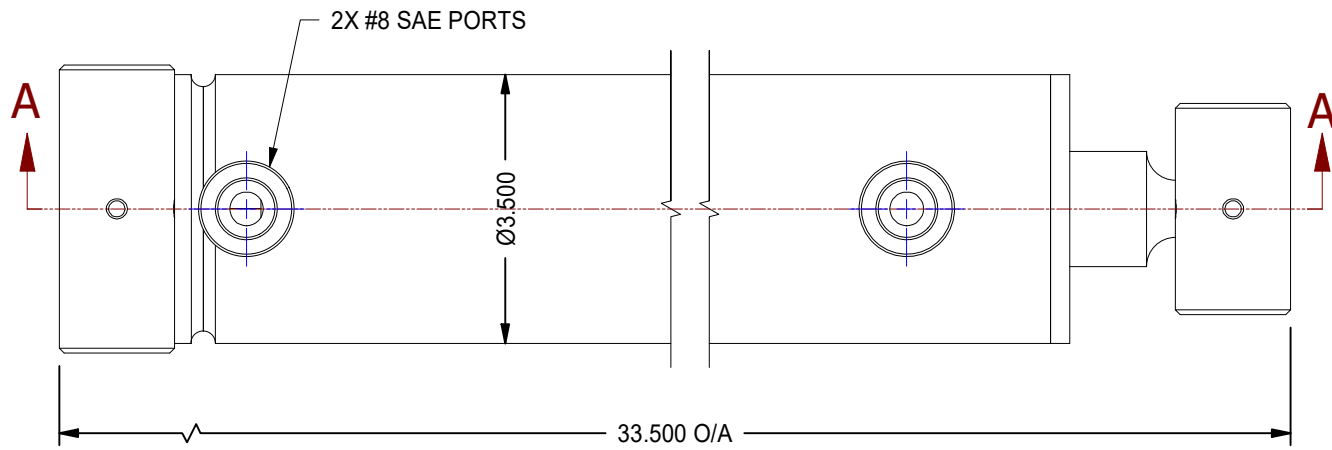



1

2



MODEL NUMBER:		PROJECT/CUSTOMER INFO:		DSGND:	DATE: 2010-08-12
 <b>TITAN WORLDWIDE INC.</b> <small>31 ton 3000 L</small> <small>Clear fluid or glycol in case of power. One that stands out for greatness of achievement!</small> <small>PHONE: 807-474-5337 FAX: 807-623-5692 EMAIL: info@titanworldwide.com WEB: www.titanworldwide.com</small>		CAPACITY:		WEIGHT: N/A	
		SHEET SIZE: A		SHEET: 7 OF 15	FILENAME: TTN30TBXX.idw
DRAWING No:				REVISION:	

DATE	INTL	DESCRIPTION	REV

1

2