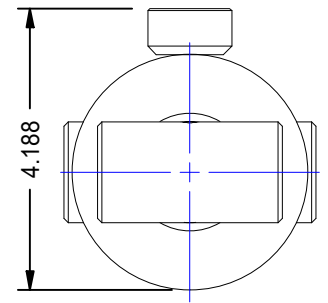
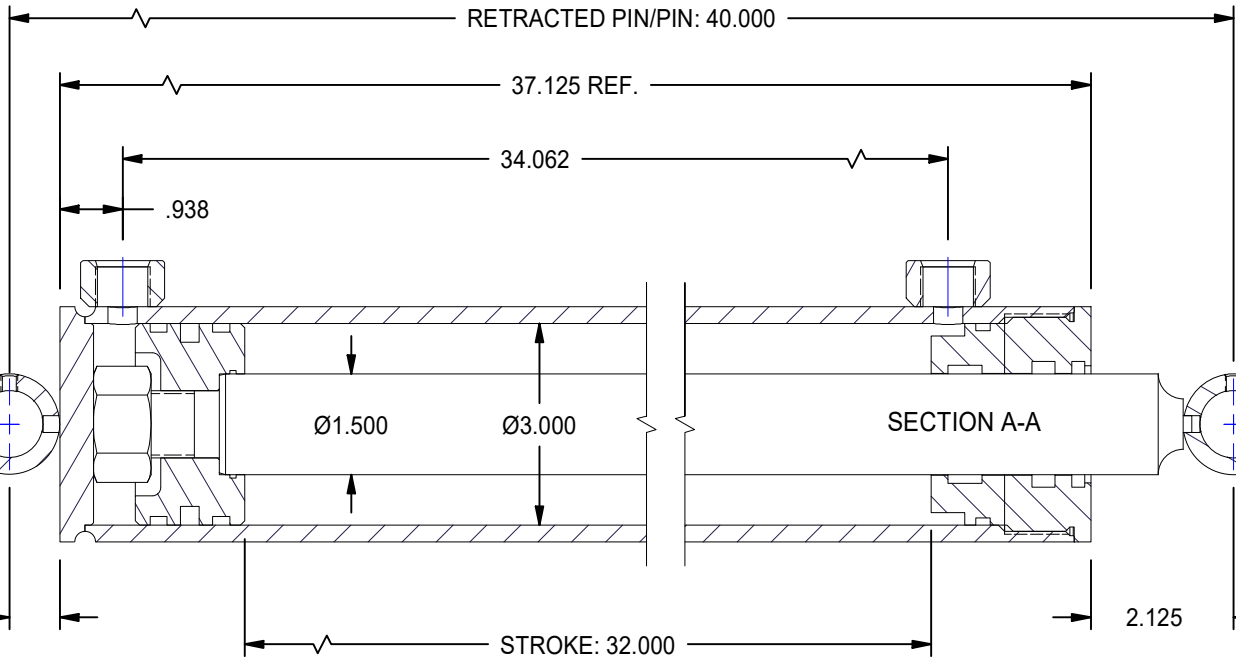
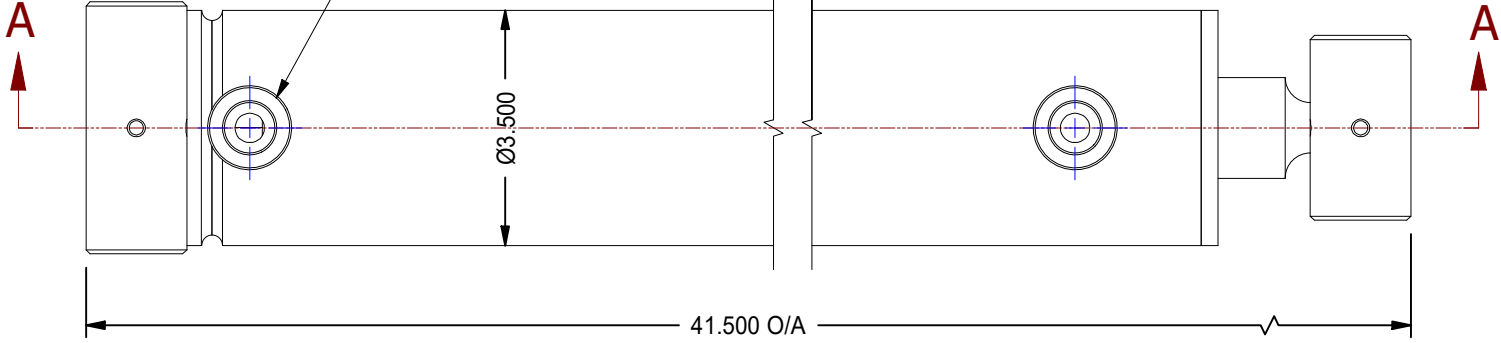



1

2

2X SAE #8 PORTS



MODEL NUMBER:		PROJECT/CUSTOMER INFO:		DSGND:	DATE: 2010-08-12
 TITAN WORLDWIDE INC. <small>31 Year ISO 9001 Clear Fall or liquid in case of power. One that stands out for greatness of achievement!</small> PHONE: 807-474-5337 FAX: 807-623-5692 EMAIL: info@titanworldwide.com WEB: www.titanworldwide.com		CAPACITY:		WEIGHT: N/A	
		SHEET: A SHEET: 4 OF 15 FILENAME: TTN30TBXX.idw		TITLE: TTN30TB32	
701 MONTREAL STREET THUNDER BAY, ON P7E 3P-2 CANADA TEL: 807-474-5337 FAX: 807-623-5692 www.titanworldwide.com				DRAWING No:	
				REVISION:	

DATE	INTL	DESCRIPTION	REV

1

2