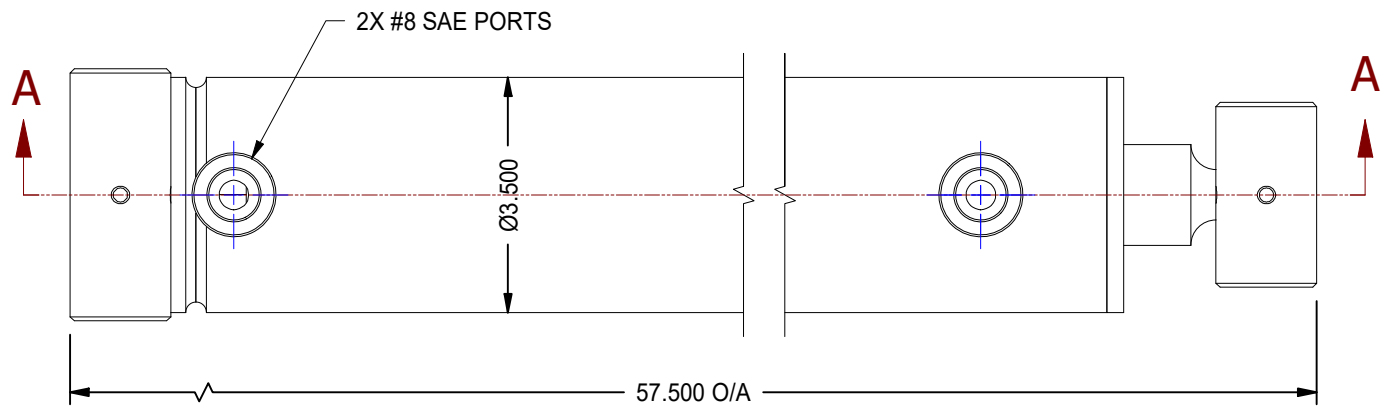


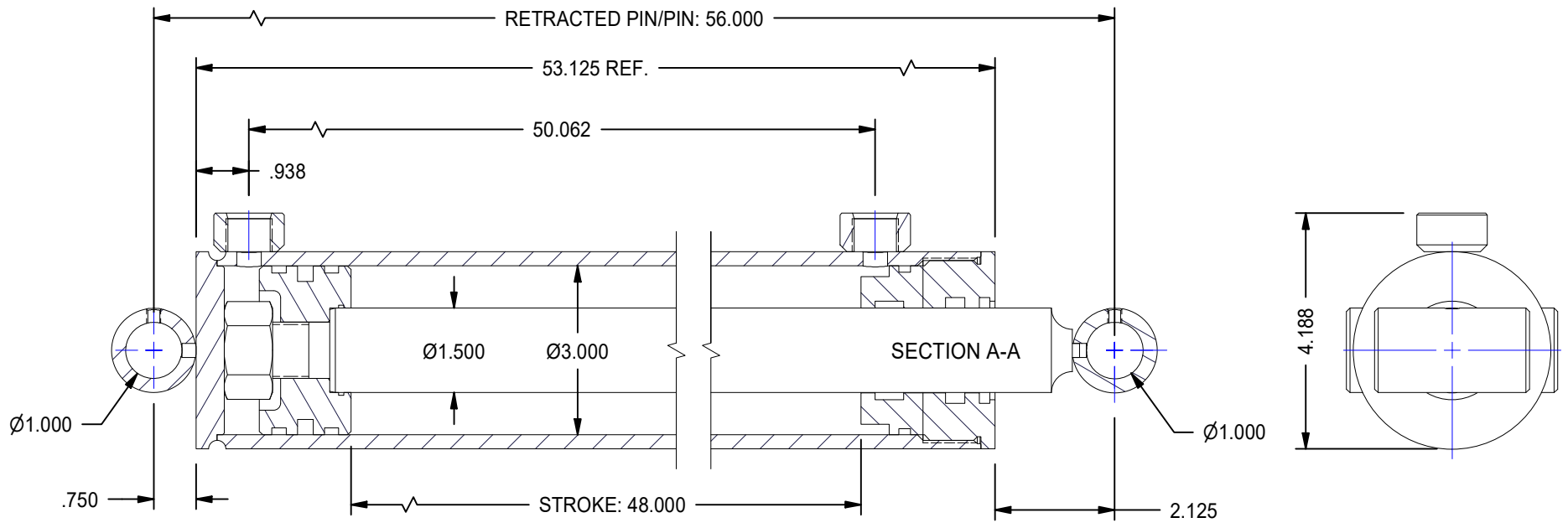
1


2



B

B



MODEL NUMBER:		PROJECT/CUSTOMER INFO:		DSGND:	DATE: 2010-08-12
 <b>TITAN WORLDWIDE INC.</b> <small>31 ton 2000 L. Clear fluid or glycol in case of power. One that stands out for greatness of achievement!</small> PHONE: 807-474-5337 FAX: 807-623-5692 EMAIL: info@stanworldwide.com WEB: www.stanworldwide.com 701 MONTREAL STREET THUNDER BAY, ON P7E 3P-2 CANADA TEL: 807-474-5337 FAX: 807-623-5692 www.titanworldwide.com		CAPACITY:		WEIGHT: N/A	
		SHEET: A		SHEET: 1 OF 15	
TITLE: TTN30TB48		DRAWING No:		REVISION:	

1

2

DATE	INTL	DESCRIPTION	REV

