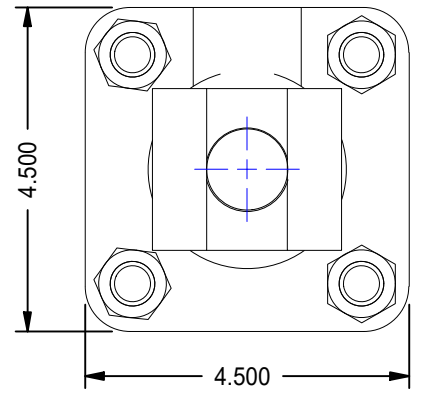
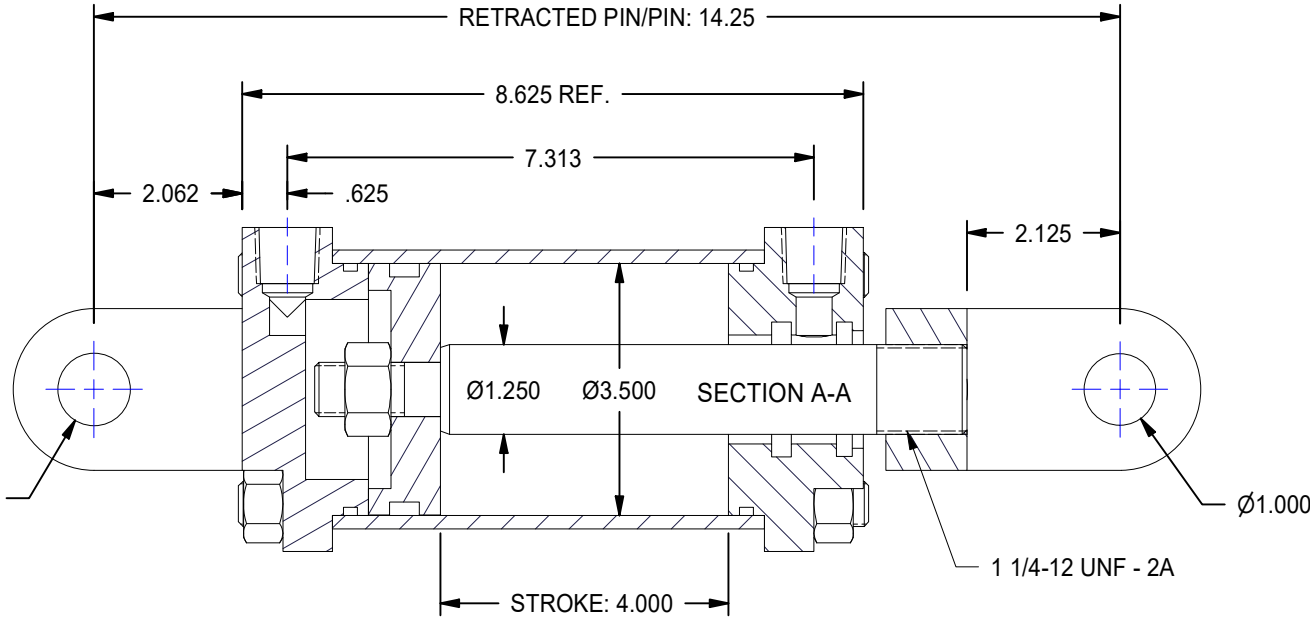
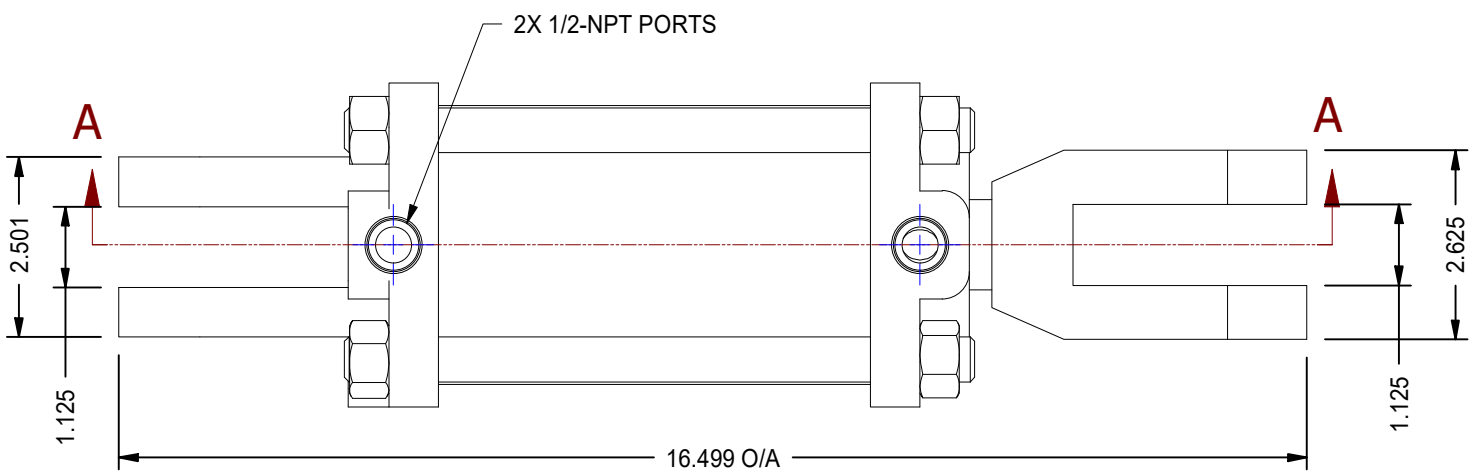



1

2



MODEL NUMBER:		PROJECT/CUSTOMER INFO:		DSGND:	DATE: 2012-07-04
 TITAN WORLDWIDE INC. <small>31 rue 50th St.</small> <small>Clear Fall or liquid in case of power. Use that stands out for protection of accessories!</small>		CAPACITY:		WEIGHT: N/A	
		SHEET SIZE: A		SHEET: 1 OF 12	FILENAME: TTN35TRXX.idw
701 MONTREAL STREET THUNDER BAY, ON P7E 3P-2 CANADA TEL: 807-474-5337 FAX: 807-423-5692 www.titanworldwide.com		TITLE: TTN35TR04		DRAWING No:	
DATE		INTL	DESCRIPTION	REV	REVISION:

1

2