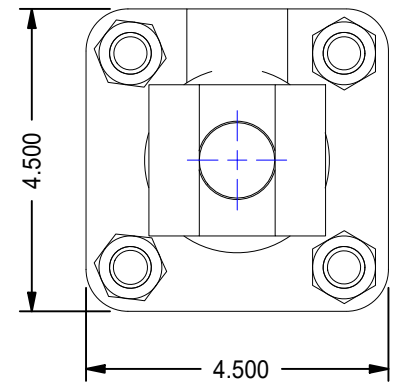
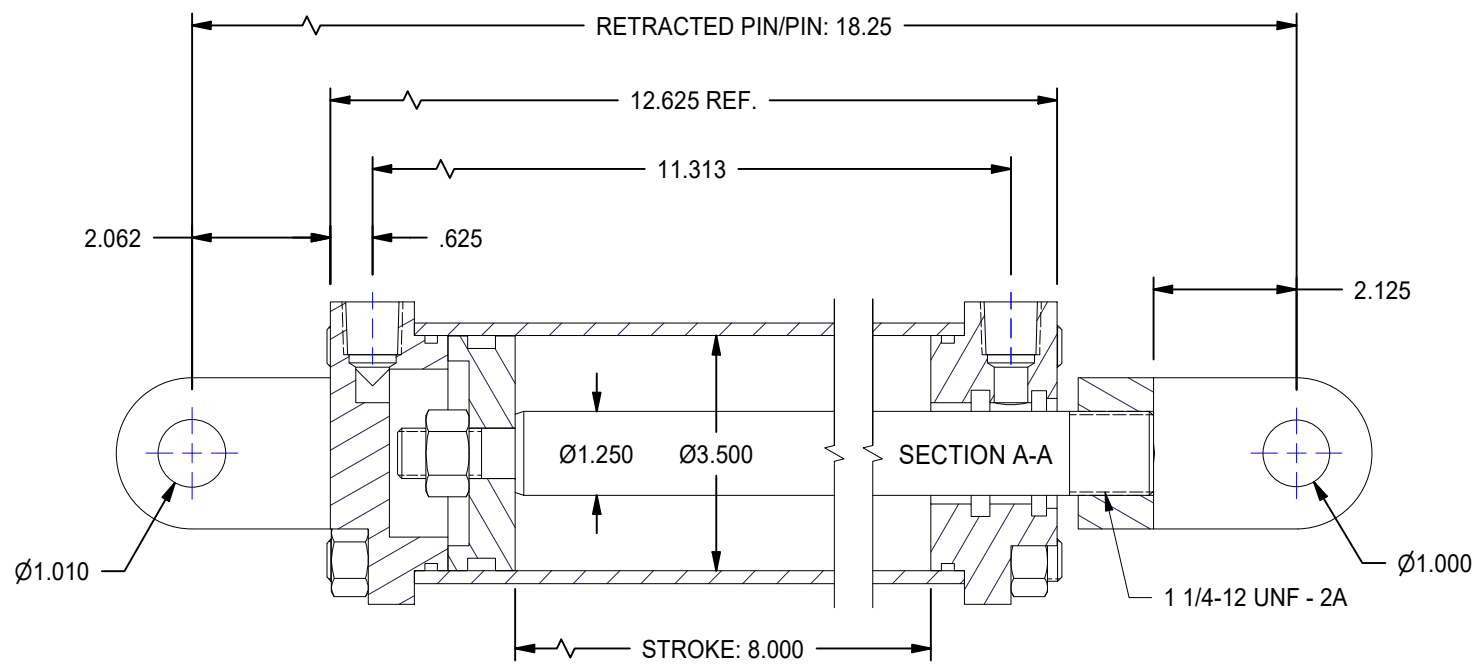
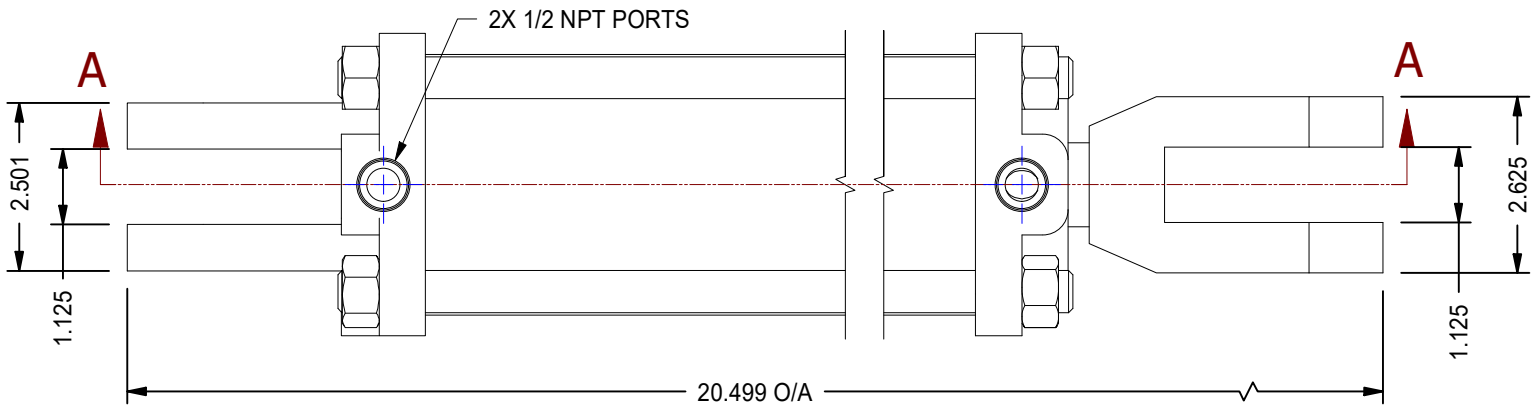


1

2



A


A

B

B

1

2

MODEL NUMBER:		PROJECT/CUSTOMER INFO:		DSGND: W.M	DATE: 2012-07-04
 <b>TITAN WORLDWIDE INC.</b> <small>31 Year ISO 9001 Clear Fall all projects in state or power. One that stands out for greatness of achievement!</small> PHONE: 807-474-5337 FAX: 807-623-5692 EMAIL: info@titanworldwide.com WEB: www.titanworldwide.com 701 MONTREAL STREET THUNDER BAY, ON P7E 3P-2 CANADA TEL: 807-474-5337 FAX: 807-623-5692 www.titanworldwide.com		CAPACITY		WEIGHT: N/A	
		SHEET A		SHEET: 3 OF 12	
TITLE: TTN35TR08		DRAWING No:		REVISION:	

DATE	INTL	DESCRIPTION	REV