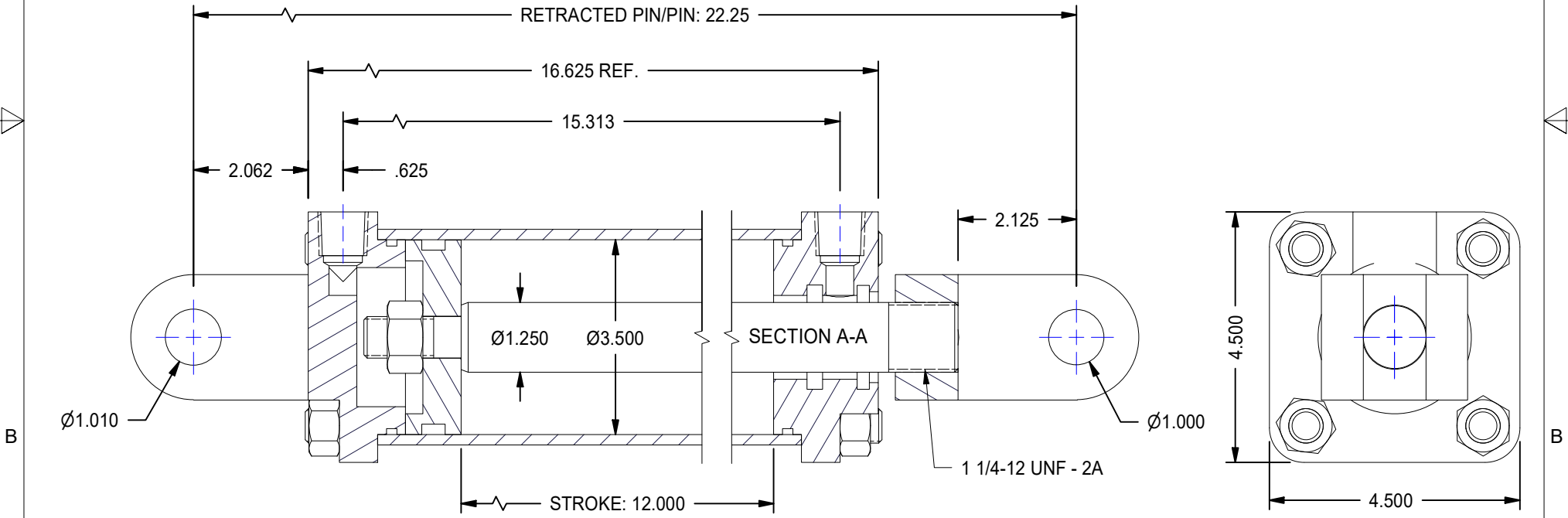
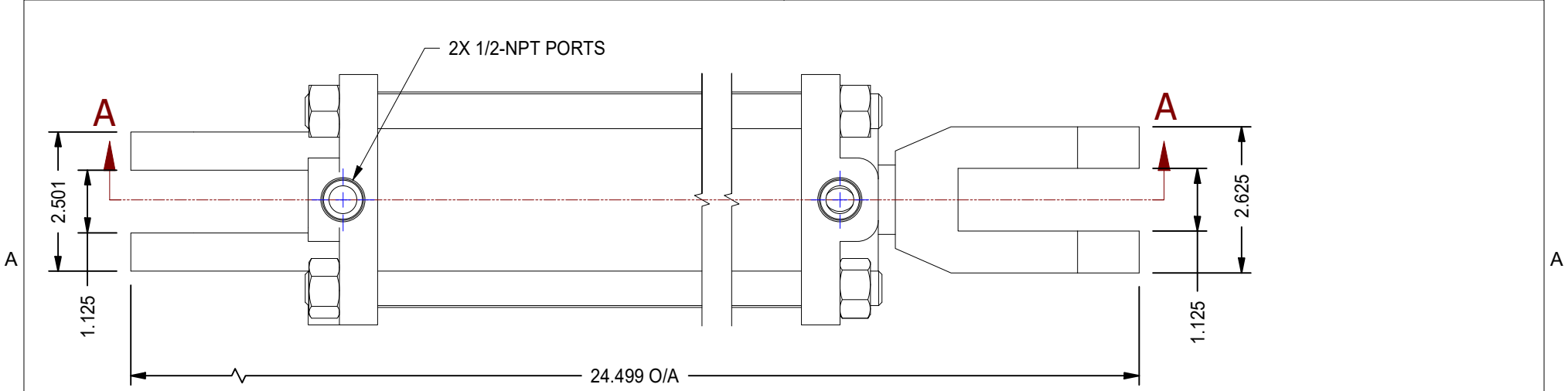



1

2



| | | | | | |
|---|--|------------------------|--|----------------|------------------|
| MODEL NUMBER: | | PROJECT/CUSTOMER INFO: | | DSGND: | DATE: 2012-07-04 |
|  TITAN WORLDWIDE INC. <small>31 rue 5000, Case 101 St-Jacques, St-Jacques, QC H3S 2G4 (514) 353-5555 www.titanworldwide.com</small> | | CAPACITY: | | WEIGHT: N/A | |
| | | SHEET SIZE: A | | SHEET: 5 OF 12 | |
| 701 MONTREAL STREET THUNDER BAY, ON P7E 3P-2 CANADA TEL: 807-474-5337 FAX: 807-623-5692 www.titanworldwide.com | | TITLE: TTN35TR12 | | DRAWING No: | |
| DATE | | INTL | | DESCRIPTION | |
| REV | | | | | |

1

2