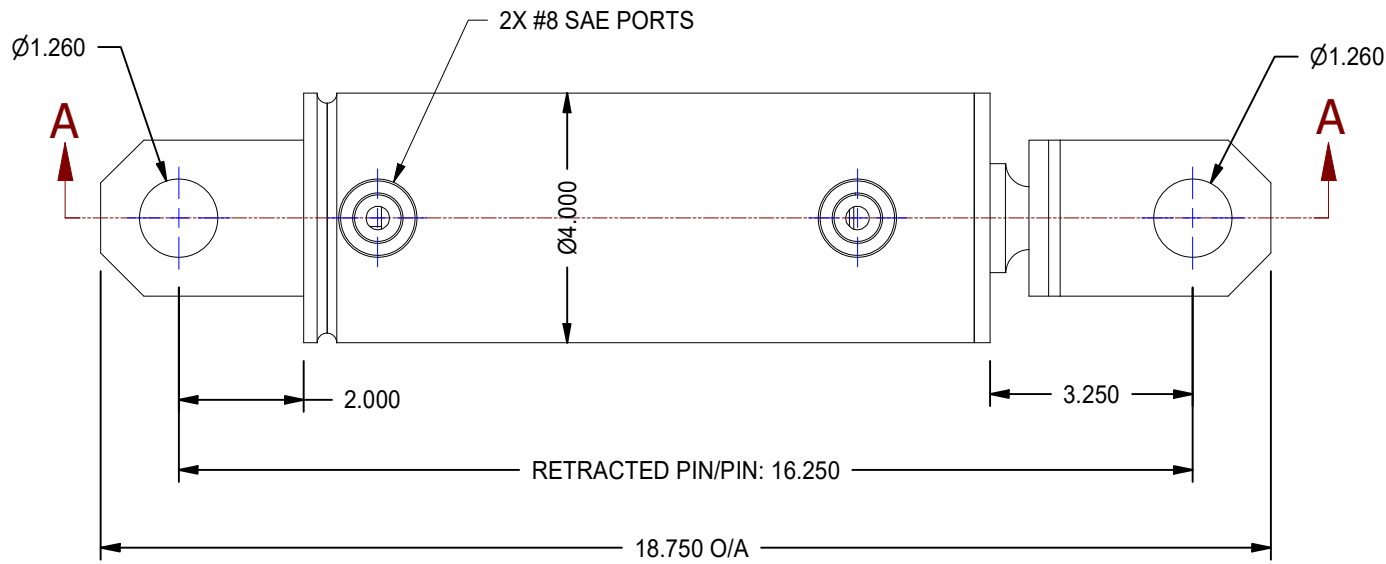


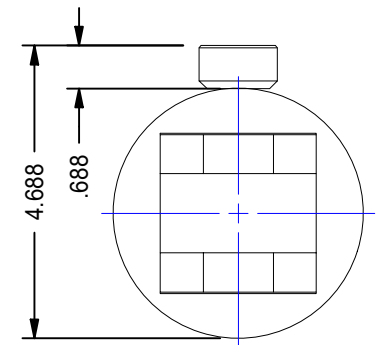
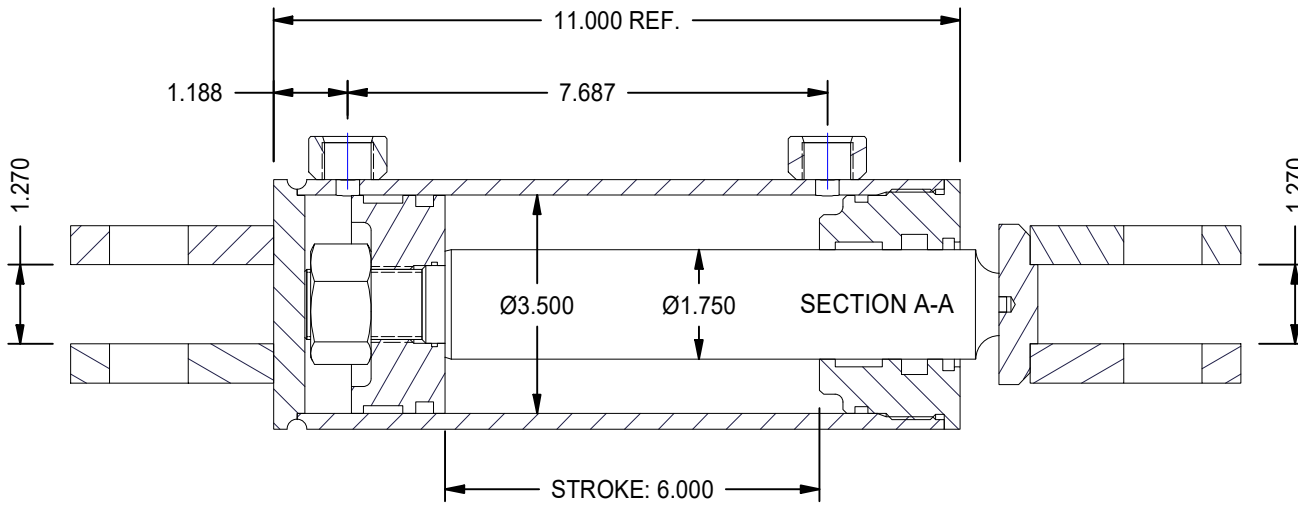
1

2




A

A



B

B

MODEL NUMBER:		PROJECT/CUSTOMER INFO:		DSGND:	DATE: 2014-02-26
 TITAN WORLDWIDE INC. <small>31 Sun 8786 L Clear Fall in liquid in case of power. One that stands out for greatness of achievement!</small>		CAPACITY:		WEIGHT: N/A	
		SHEET SIZE: A		SHEET: 2 OF 15	FILENAME: TTN35BBXX.idw
701 MONTREAL STREET THUNDER BAY, ON P7E 3P-2 CANADA TEL: 807-474-5337 FAX: 807-423-5692 www.titanworldwide.com		TITLE: TTN35BB06		DRAWING No:	
DATE		INTL	DESCRIPTION	REV	REVISION:

1

2