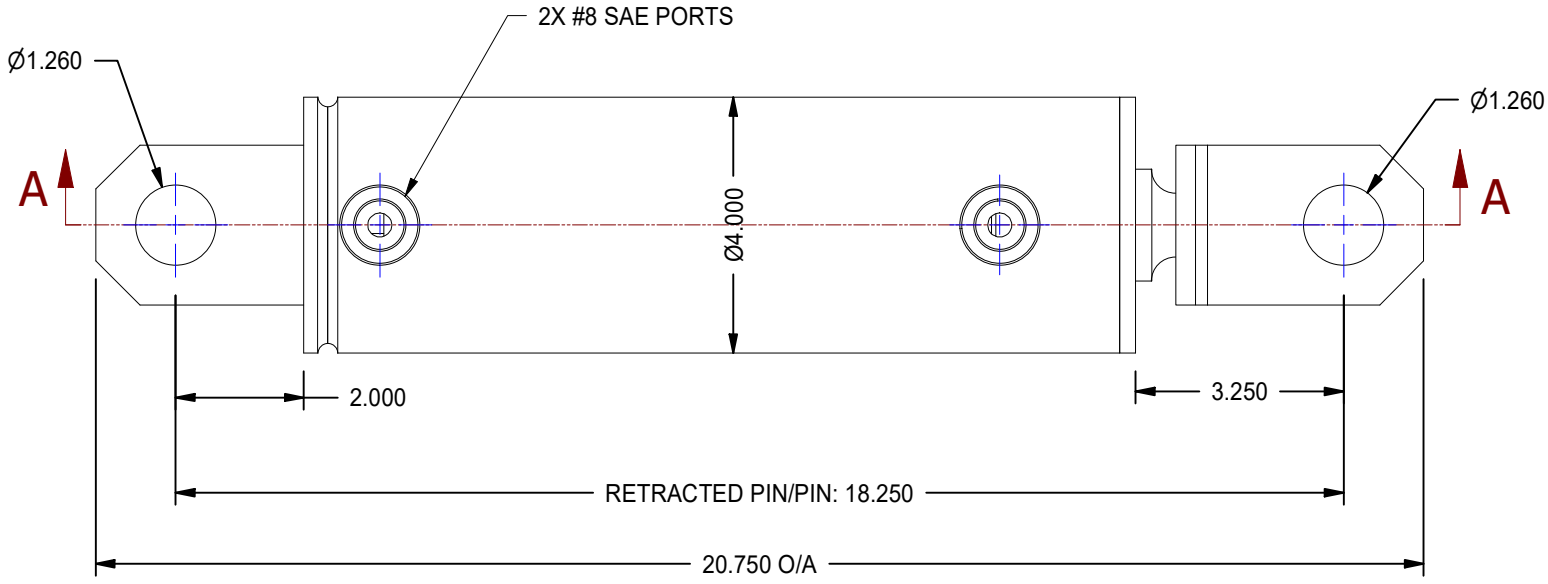


1

2

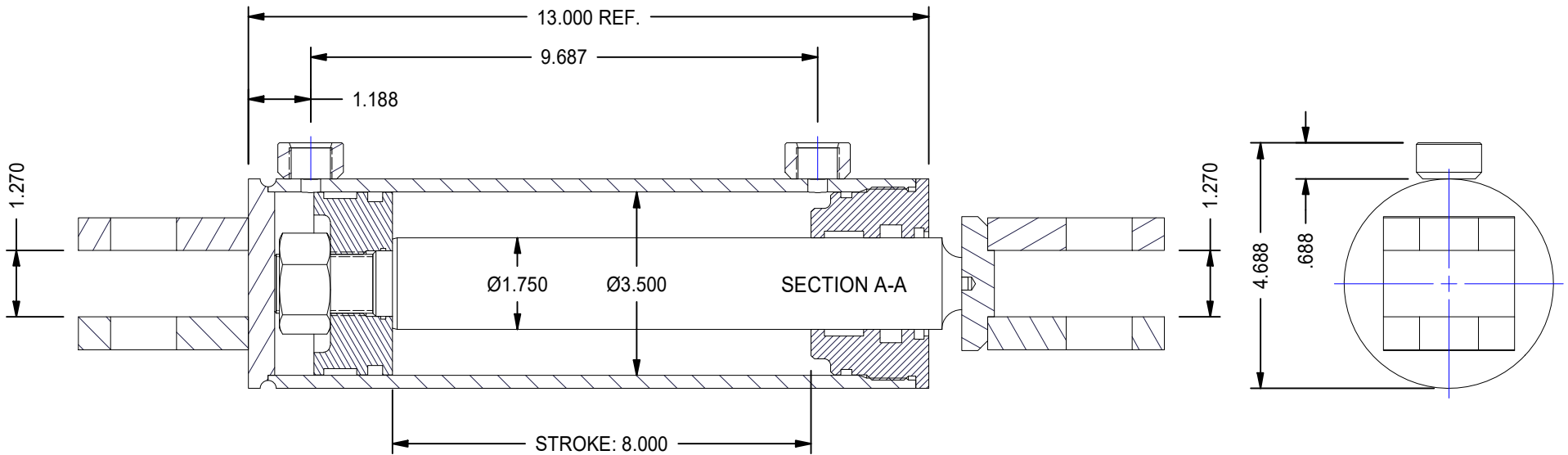


A

A


B

B



B

B

MODEL NUMBER:		PROJECT/CUSTOMER INFO:		DSGND:	DATE: 2014-02-26
 <b>TITAN WORLDWIDE INC.</b> <small>31 rue 1875 St.</small> <small>Clear Fall in liquid, in case of power. Use that stands out for protection of accessories!</small> <small>PHONE: 807-474-5337 FAX: 807-623-5692 EMAIL: info@titanworldwide.com WEB: www.titanworldwide.com</small>		CAPACITY:		WEIGHT: N/A	
		SHEET SIZE: A		SHEET: 3 OF 15	FILENAME: TTN35BBXX.idw
701 MONTREAL STREET THUNDER BAY, ON P7E 3P-2 CANADA TEL: 807-474-5337 FAX: 807-623-5692 www.titanworldwide.com		TITLE: TTN35BB08		DRAWING No:	
DATE		INTL	DESCRIPTION	REV	REVISION:

1

2

