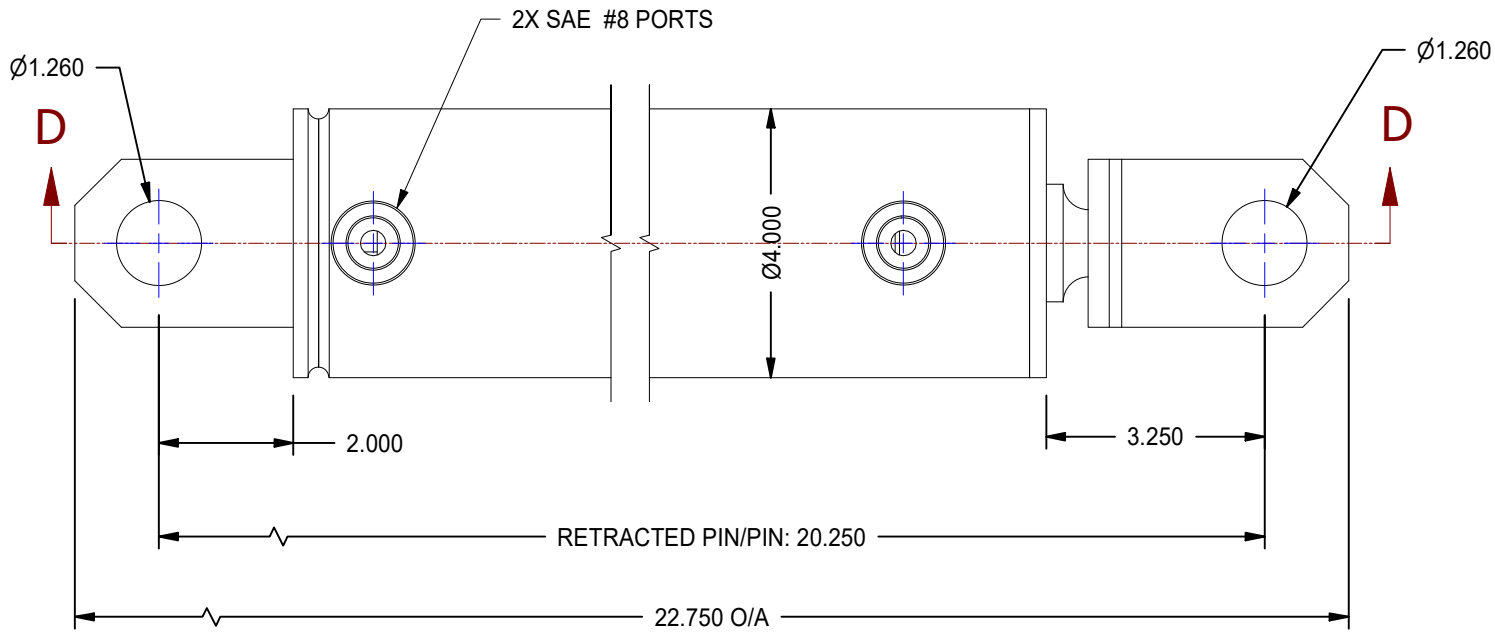


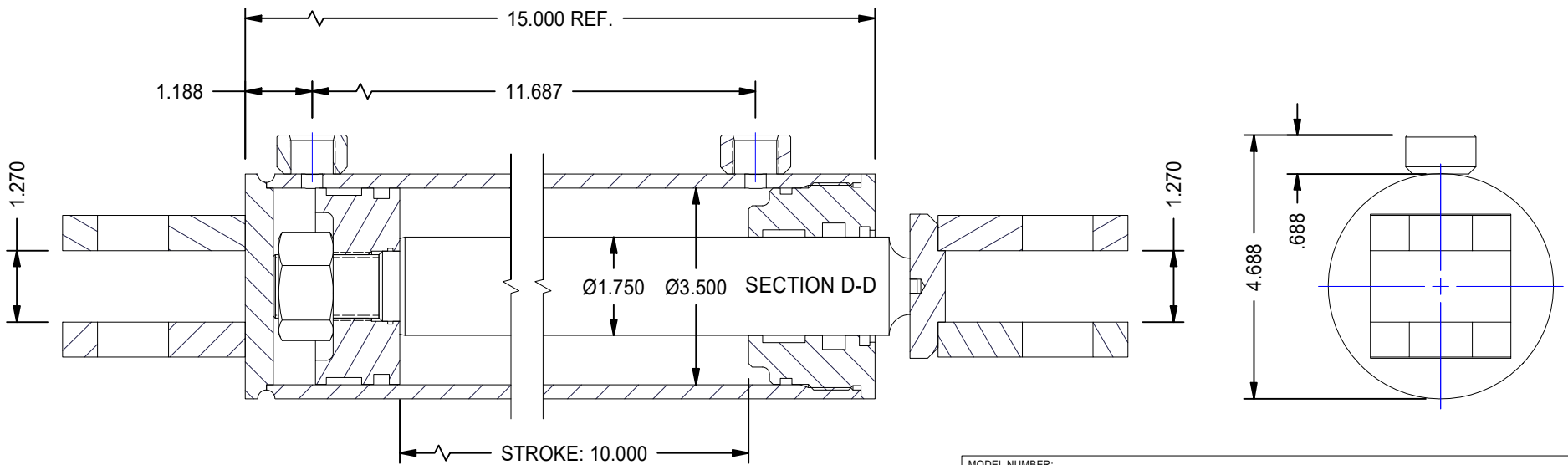
1

2




A

A



B

B

MODEL NUMBER:		PROJECT/CUSTOMER INFO:		DSGND:	DATE: 2014-02-26
 TITAN WORLDWIDE INC. <small>31 Year ISO 9001</small> <small>Clear Fall in liquid, in case of power. One that stands out for greatness in achievement!</small> <small>PHONE: 807-474-5337 FAX: 807-623-5692 EMAIL: info@titanworldwide.com WEB: www.titanworldwide.com</small>		CAPACITY:		WEIGHT: N/A	
		SHEET: A		SHEET: 4 OF 15	
701 MONTREAL STREET THUNDER BAY, ON P7E 3P-2 CANADA TEL: 807-474-5337 FAX: 807-623-5692 www.titanworldwide.com		TITLE: TTN35BB10		DRAWING No:	
DATE		INTL		DESCRIPTION	
1		2		REVISION:	

1

2

