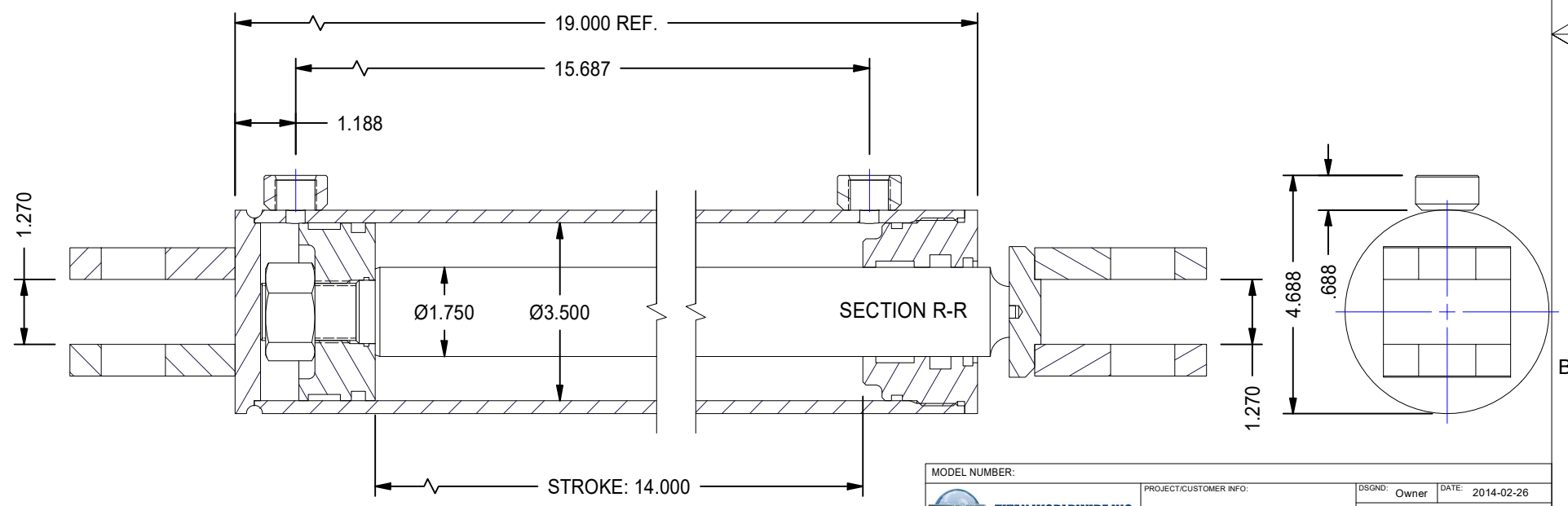
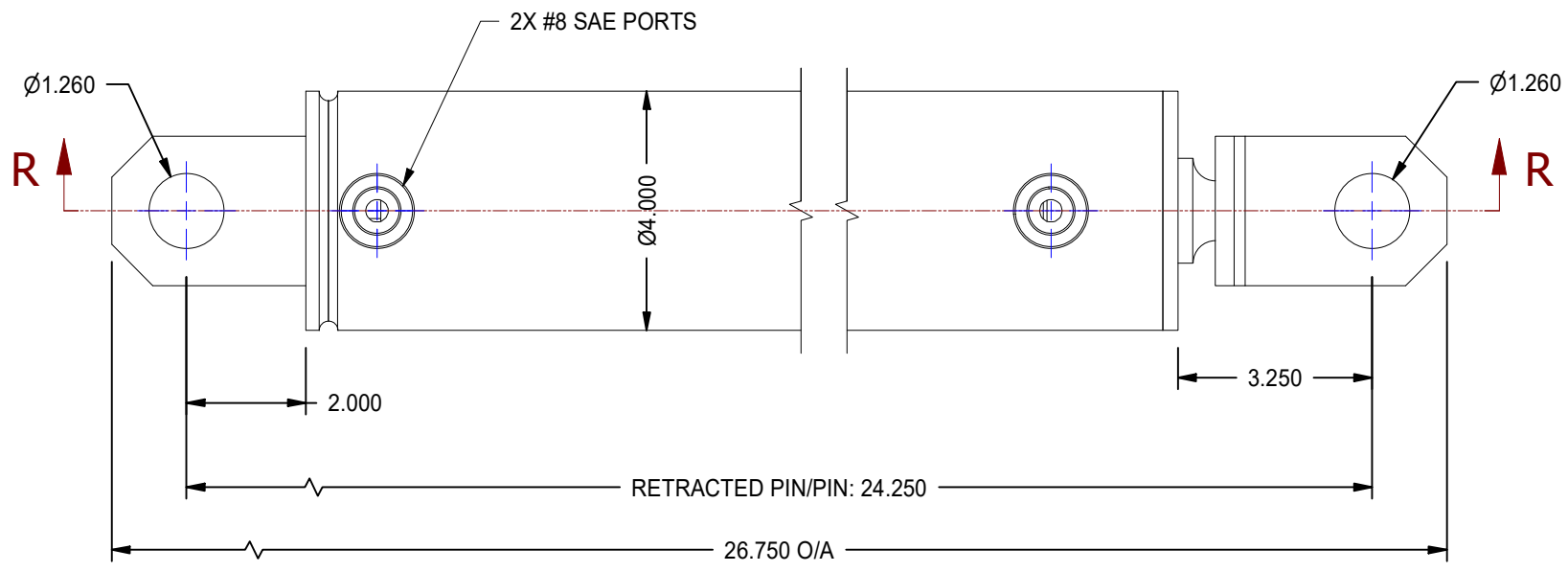



1

2



MODEL NUMBER:		PROJECT/CUSTOMER INFO:		DSGND: Owner	DATE: 2014-02-26
 TITAN WORLDWIDE INC. <small>71 rue St-Jacques, 1000 Montreal, QC H2Y 1K5, Canada</small> PHONE: 514-474-5337 FAX: 514-474-5332 EMAIL: info@titanworldwide.com WEB: www.titanworldwide.com		CAPACITY:		WEIGHT: N/A	
		SHEET: A		SHEET: 7 OF 15	
701 MONTREAL STREET THUNDER BAY, ON P7E 3P-2 CANADA TEL: 807-474-5337 FAX: 807-423-5692 www.titanworldwide.com		TITLE: TTN35BB14		DRAWING No:	
DATE		INTL		REVISION	

1

2