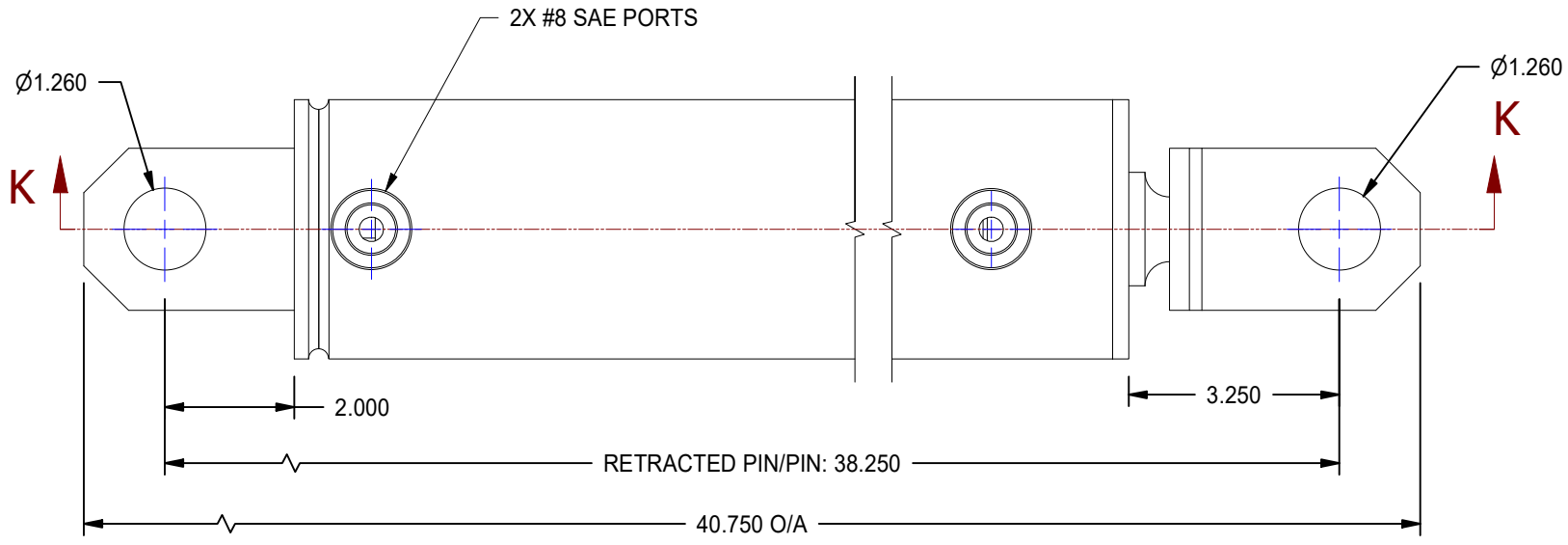


1

2

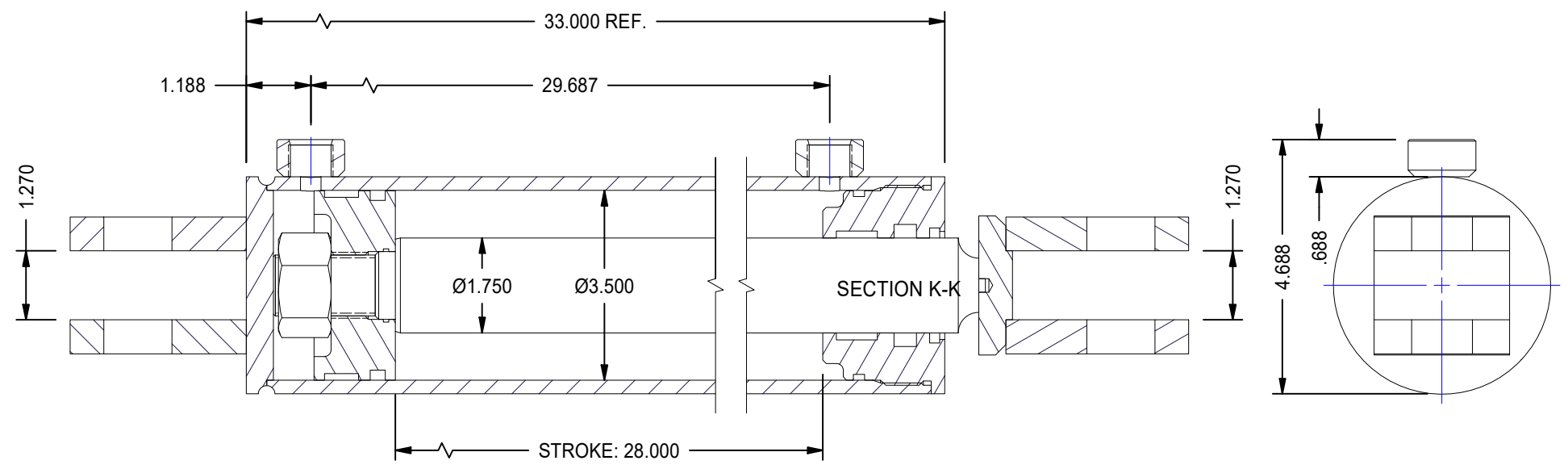



A

A

B

B



MODEL NUMBER:		PROJECT/CUSTOMER INFO:		DSGND:	DATE: 2014-02-26
 TITAN WORLDWIDE INC. <small>31 rue 555 S.</small> <small>Clear Fall or liquid, in case of power. Use that stands out for greatest of effectiveness!</small> <small>PHONE: 807-474-5337 FAX: 807-623-5692 EMAIL: info@titanworldwide.com WEB: www.titanworldwide.com</small>		CAPACITY:		WEIGHT: N/A	
		SHEET SIZE: A		SHEET: 11 OF 15	
701 MONTREAL STREET THUNDER BAY, ON P7E 3P-2 CANADA TEL: 807-474-5337 FAX: 807-623-5692 www.titanworldwide.com		TITLE: TTN35BB28		DRAWING No:	
DATE		INTL		DESCRIPTION	
REV				REVISION:	

1

2