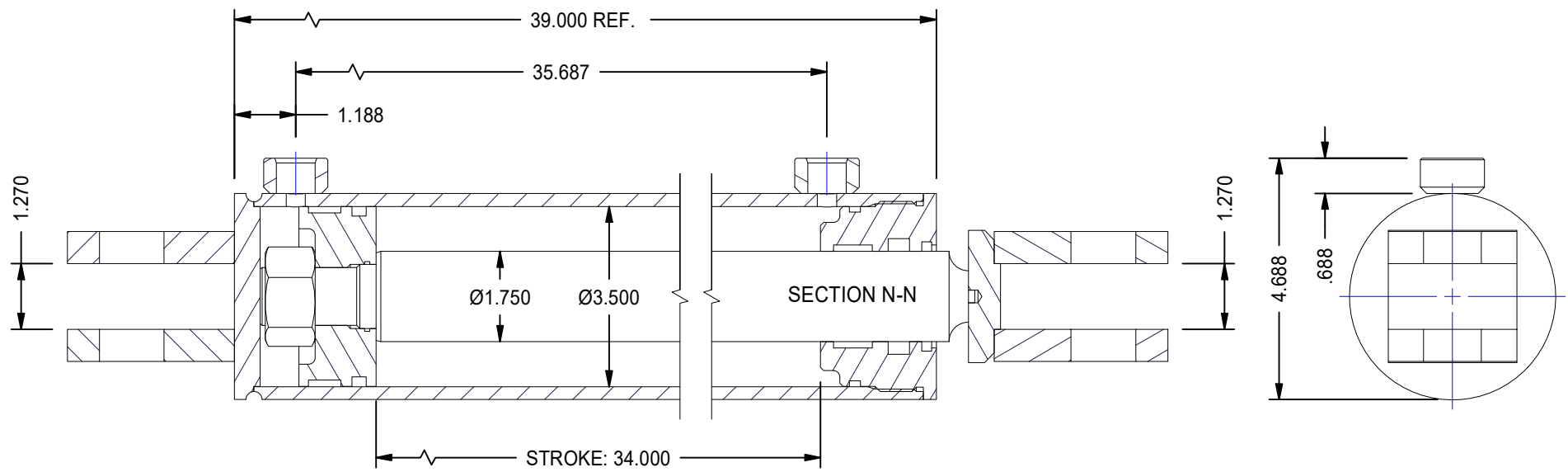
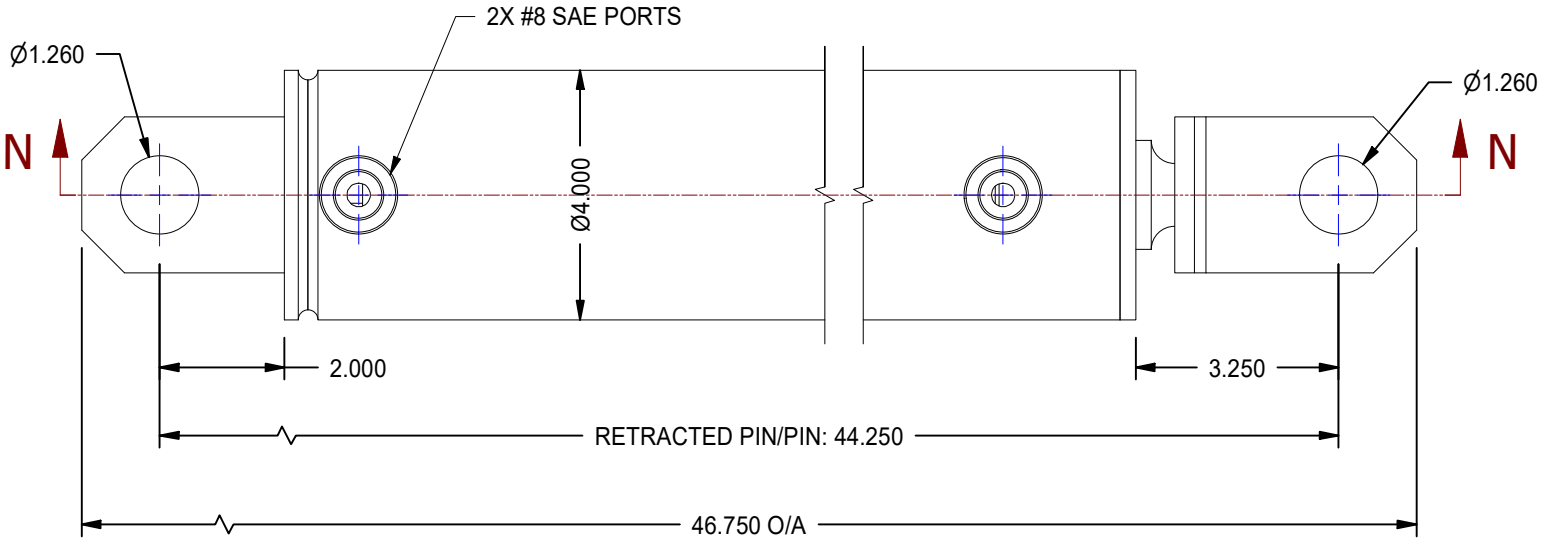



1

2



MODEL NUMBER:		PROJECT/CUSTOMER INFO:		DSGND:	DATE: 2014-02-26
 <b>TITAN WORLDWIDE INC.</b> <small>31 Year ISO 9001 Clear Fall in liquid, in case of power. One that stands out for greatness in achievement!</small>		CAPACITY:		WEIGHT: N/A	
		SHEET SIZE: A		SHEET: 14 OF 15	FILENAME: TTN35BBXX.idw
701 MONTREAL STREET THUNDER BAY, ON P7E 3P2 CANADA TEL: 807-474-5337 FAX: 807-623-5692 www.titanworldwide.com		TITLE: TTN35BB34		DRAWING No:	
DATE		INTL	DESCRIPTION	REV	REVISION:

1

2