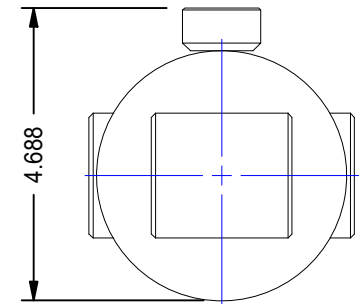
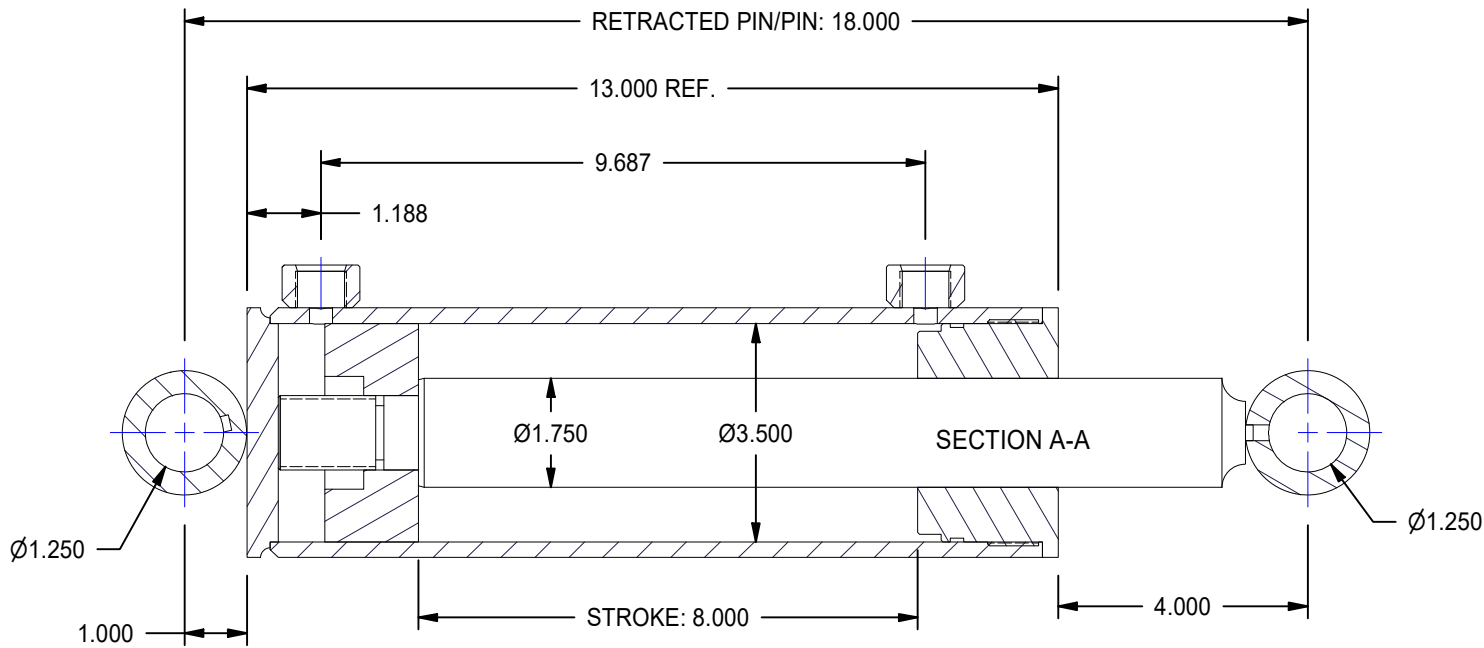
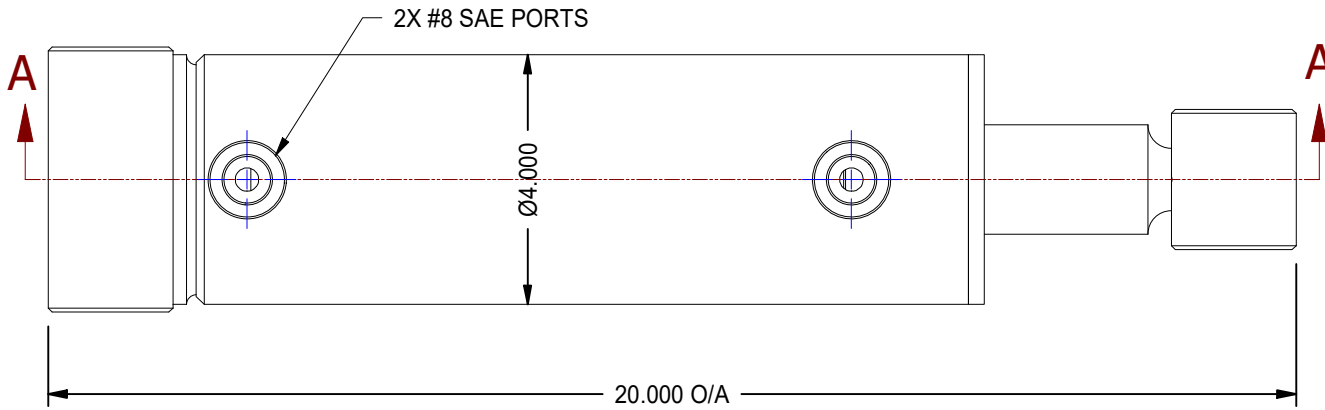


1

2



MODEL NUMBER:

**TITAN WORLDWIDE INC.**  
31 Year ISO 9001  
 Clear Fall or Ignition in case of power. One that stands out for  
 greatness of achievement!

PHONE: 807-474-5337 FAX: 807-623-5692 EMAIL: info@titanworldwide.com WEB: www.titanworldwide.com

701 MONTREAL STREET  
 THUNDER BAY, ON  
 P7E 3P-2  
 CANADA  
 TEL: 807-474-5337  
 FAX: 807-623-5692  
 www.titanworldwide.com

PROJECT/CUSTOMER INFO:		DSGND:	DATE: 2010-08-12
		CAPACITY:	
		WEIGHT:	N/A
SHEET SIZE: A	SHEET: 2 OF 15	FILENAME:	TTN35TBXX.idw
TITLE: TTN35TB08			
DRAWING No:			REVISION:

DATE	INTL	DESCRIPTION	REV

1

2