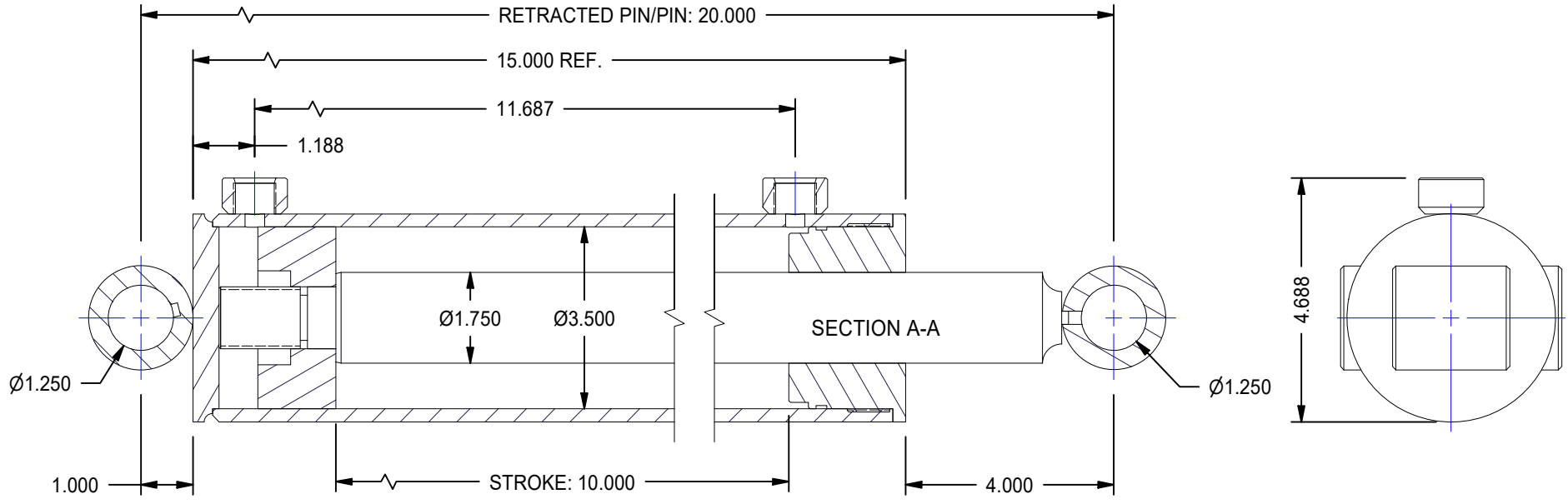
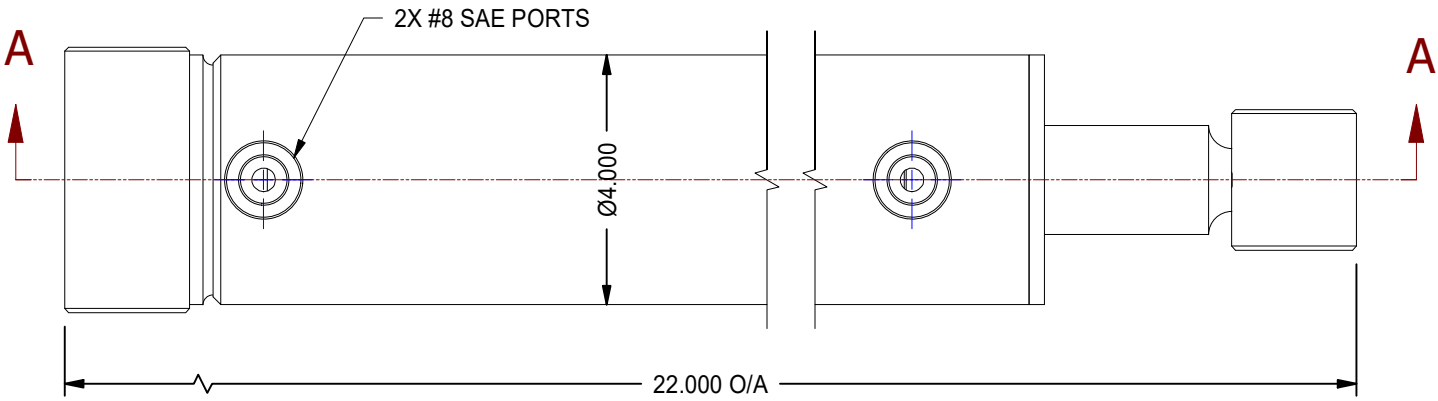



1

2



| | | | | | |
|--|--|------------------------|--|----------------|------------------|
| MODEL NUMBER: | | PROJECT/CUSTOMER INFO: | | DSGND: | DATE: 2010-08-12 |
|  TITAN WORLDWIDE INC. <small>21 rue 88th St. Clear Lake or Republic, in state of power. One that stands out for greatness of achievement!</small> | | CAPACITY: | | WEIGHT: N/A | |
| | | SHEET: A | | SHEET: 3 OF 15 | |
| 701 MONTREAL STREET THUNDER BAY, ON P7E 3P-2 CANADA TEL: 807-474-5337 FAX: 807-623-5692 www.titanworldwide.com | | TITLE: TTN35TB10 | | DRAWING No: | |
| DATE | | INTL | | DESCRIPTION | |
| REV | | | | REVISION: | |

1

2