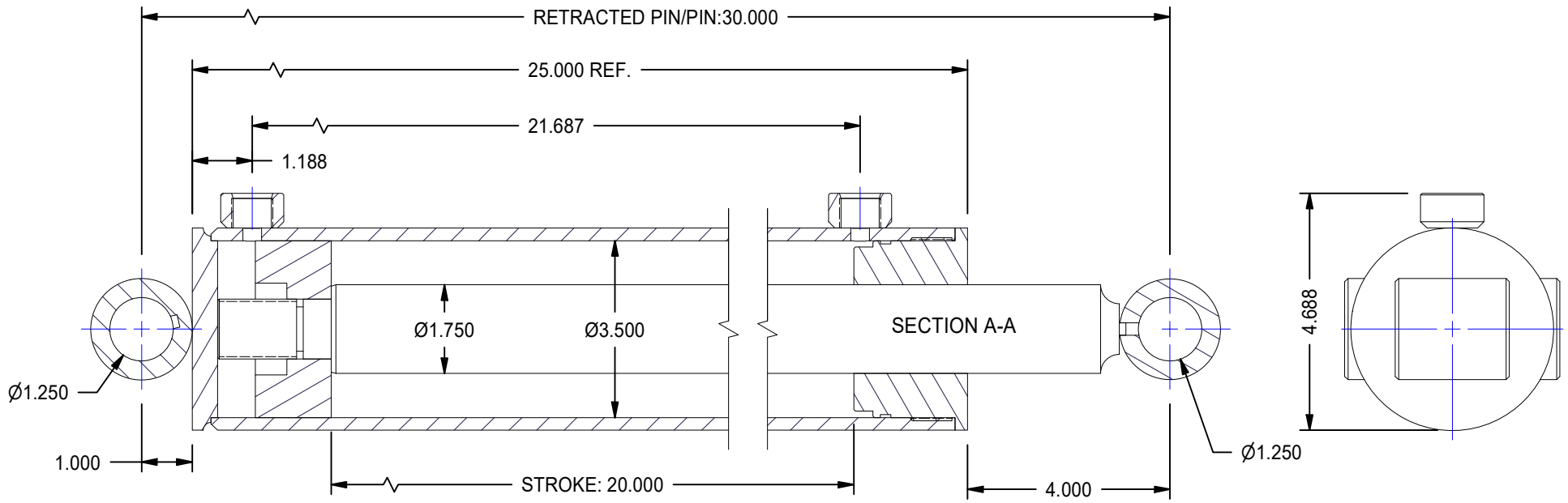
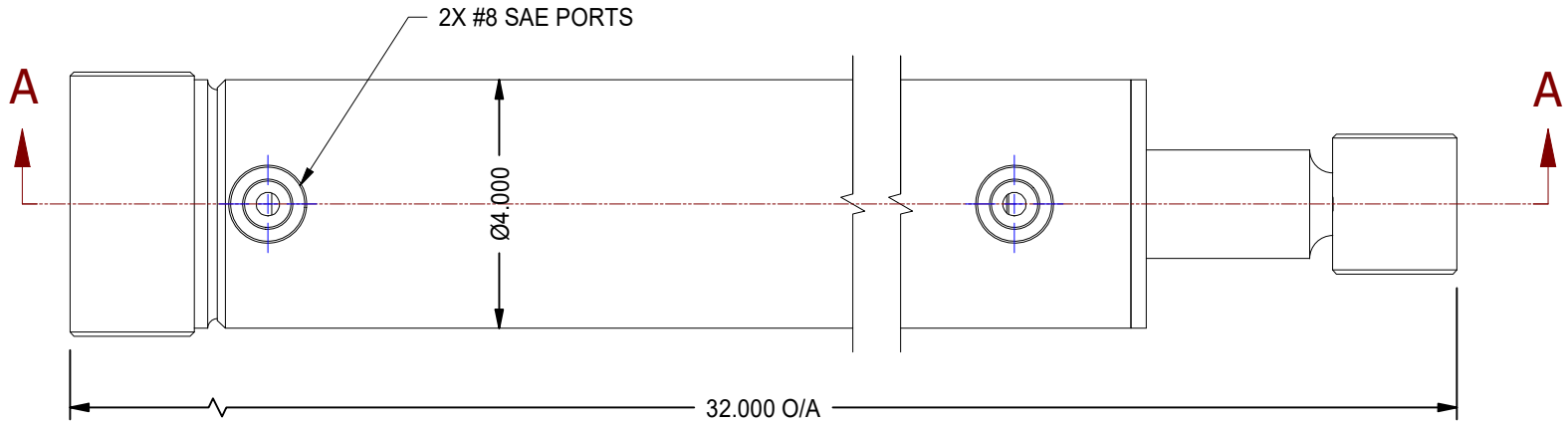


1

2




A

A

B

B

MODEL NUMBER:		PROJECT/CUSTOMER INFO:		DSGND:	DATE: 2010-08-12	
 <b>TITAN WORLDWIDE INC.</b> <small>31 Year ISO 9001</small> <small>Clear Fall or Ignition in case of power. One that stands out for greatness in achievement!</small> <small>PHONE: 807-474-5337 FAX: 807-623-5692 EMAIL: info@titanworldwide.com WEB: www.titanworldwide.com</small>		CAPACITY:		WEIGHT: N/A		
		SHEET: A SHEET: 8 OF 15 FILENAME: TTN35TBXX.idw		TITLE: TTN35TB20		
701 MONTREAL STREET THUNDER BAY, ON P7E 3P-2 CANADA TEL: 807-474-5337 FAX: 807-623-5692 www.titanworldwide.com				DRAWING No:		REVISION:

DATE	INTL	DESCRIPTION	REV

1

2