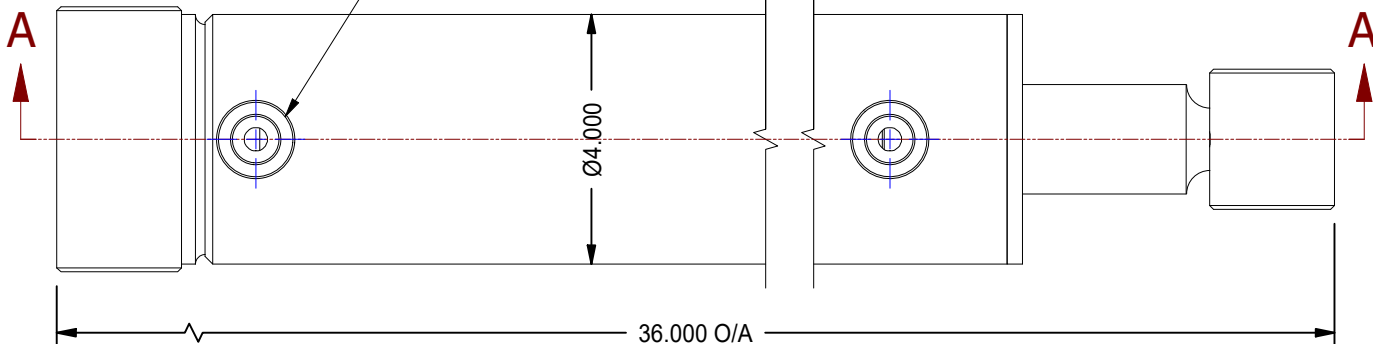


1

2

2X #8 SAE PORTS



A

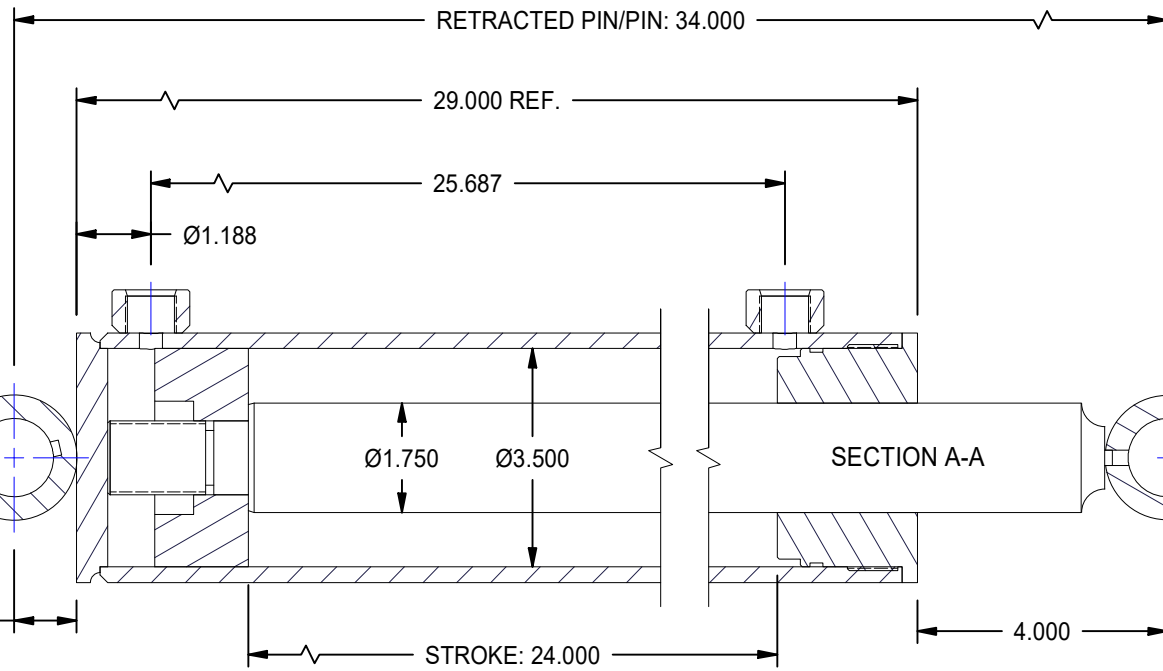
A

RETRACTED PIN/PIN: 34.000

29.000 REF.

25.687

$\varnothing 1.188$



$\varnothing 1.250$

1.000

$\varnothing 1.750$

$\varnothing 3.500$

SECTION A-A

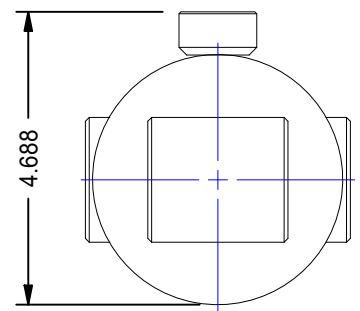
$\varnothing 1.250$

STROKE: 24.000


4.000

B

B



4.688

MODEL NUMBER:		PROJECT/CUSTOMER INFO:		DSGND:	DATE: 2010-08-12
 <b>TITAN WORLDWIDE INC.</b> <small>31 Year ISO 9001 Clear Fall all projects in state of power. One that stands out for greatness of achievement!</small> PHONE: 807-474-5337 FAX: 807-623-5692 EMAIL: info@titanworldwide.com WEB: www.titanworldwide.com 701 MONTREAL STREET THUNDER BAY, ON P7E 3P-2 CANADA TEL: 807-474-5337 FAX: 807-623-5692 www.titanworldwide.com		CAPACITY:		WEIGHT: N/A	
		SHEET: A SHEET: 9 OF 15 FILENAME: TTN35TBXX.idw		TITLE: TTN35TB24	
DRAWING No:				REVISION:	

DATE	INTL	DESCRIPTION	REV

1

2

