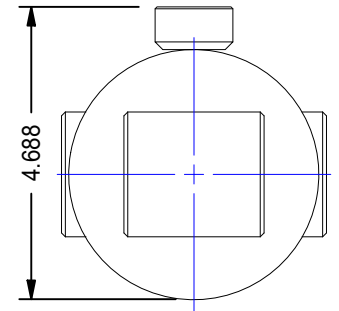
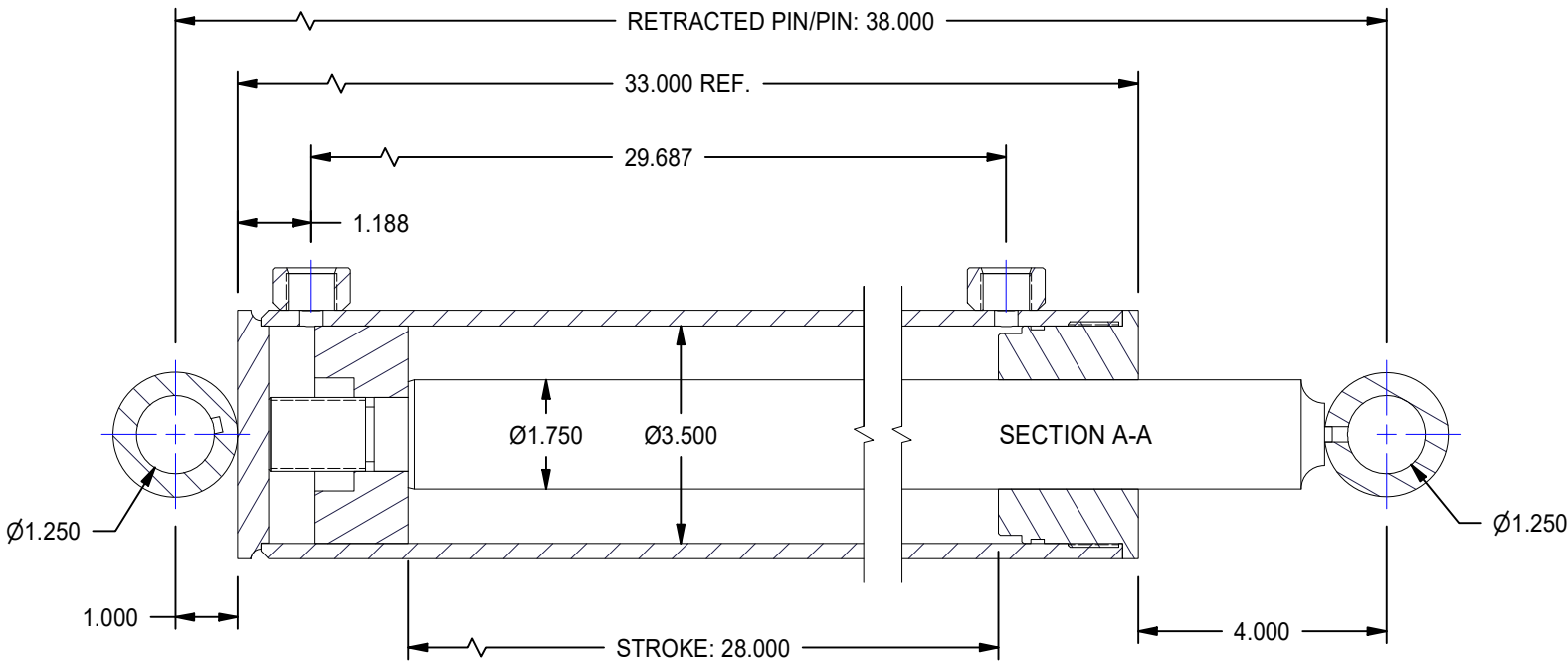
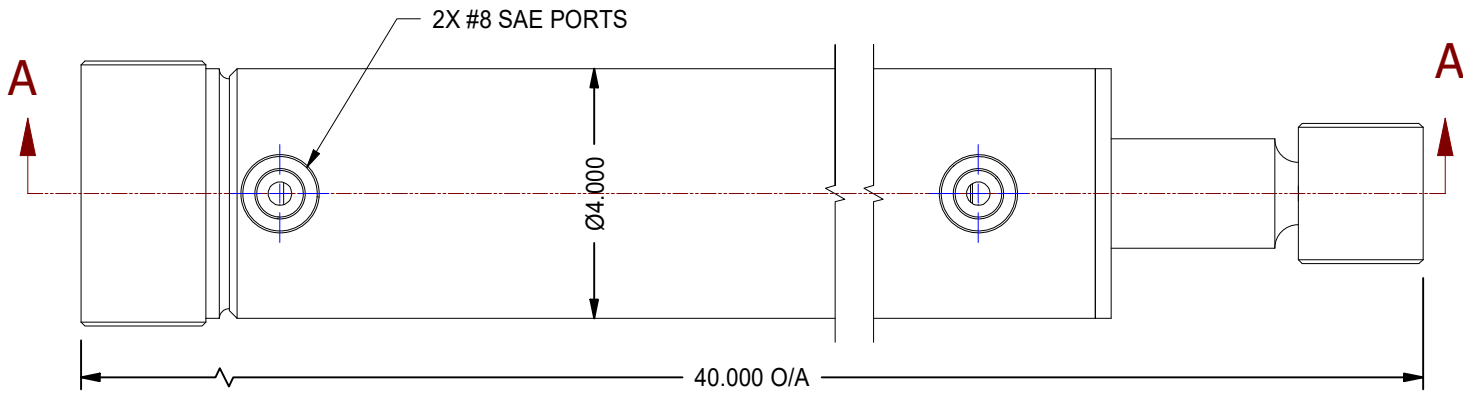



1

2



MODEL NUMBER:		PROJECT/CUSTOMER INFO:		DSGND:	DATE: 2010-08-12
 TITAN WORLDWIDE INC. <small>21 Sun Blvd. Clear Hill at junction to east of power. One that stands out for greatness of achievement!</small>		CAPACITY:		WEIGHT: N/A	
		SHEET: A		SHEET: 10 OF 15	
701 MONTREAL STREET THUNDER BAY, ON P7E 3P-2 CANADA TEL: 807-474-5337 FAX: 807-623-5692 www.titanworldwide.com		TITLE: TTN35TB28		DRAWING No:	
DATE		INTL		DESCRIPTION	
REV				REVISION:	

1

2