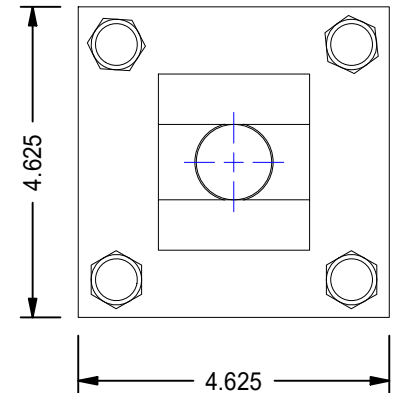
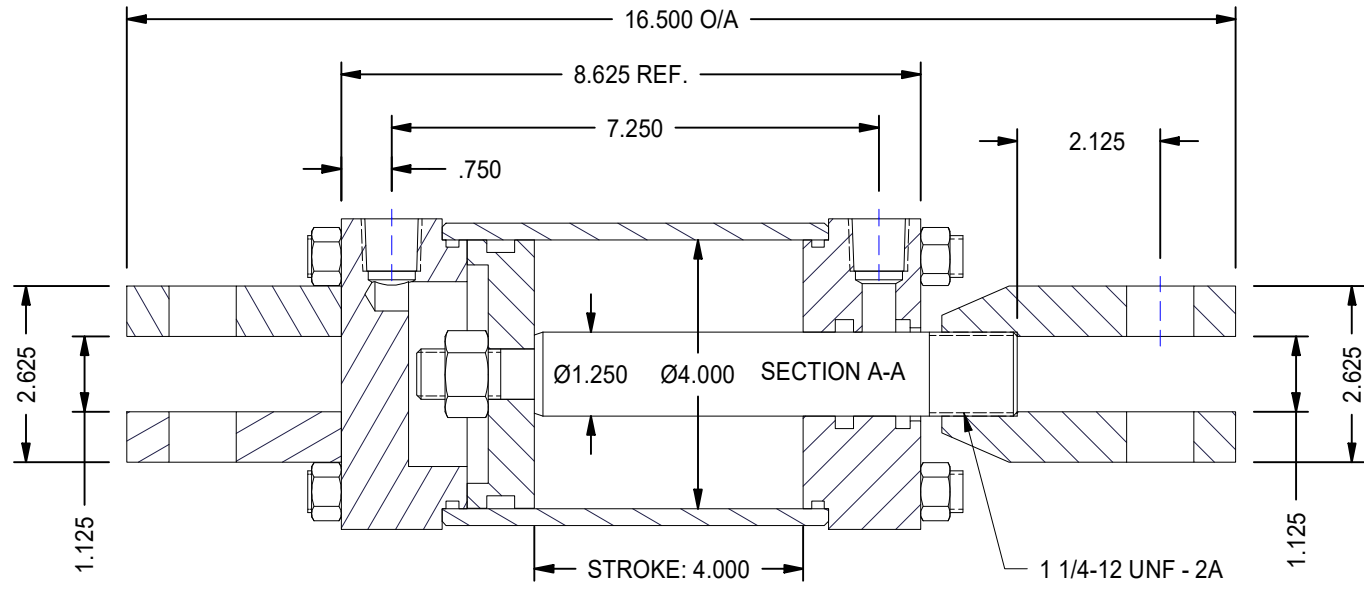
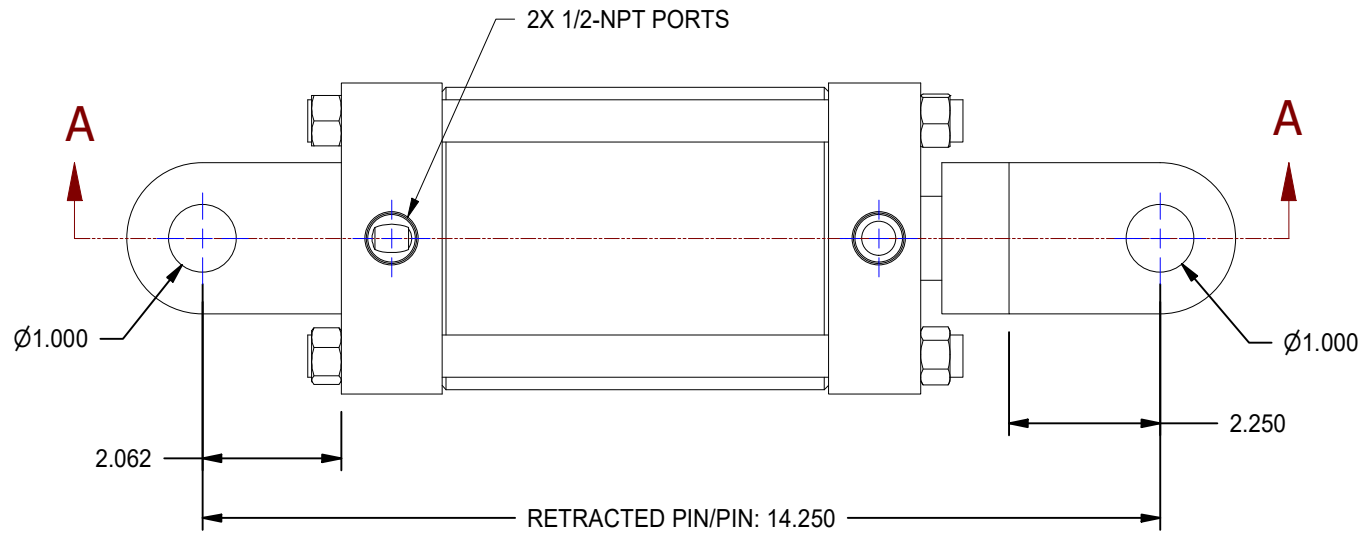



1

2



MODEL NUMBER:		PROJECT/CUSTOMER INFO:		DSGND: .	DATE: 2012-07-04
 <b>TITAN WORLDWIDE INC.</b> <small>31 Year ISO 9001</small> <small>Clear that it applies to date or power. One that stands out for greatness of achievement!</small> <small>PHONE: 807-474-5337 FAX: 807-623-5692 EMAIL: info@titanworldwide.com WEB: www.titanworldwide.com</small>		CAPACITY:		WEIGHT: N/A	
		SHEET SIZE: A		SHEET: 1 OF 14	
701 MONTREAL STREET THUNDER BAY, ON P7E 3P-2 CANADA TEL: 807-474-5337 FAX: 807-623-5692 www.titanworldwide.com		TITLE: TTN40TR04		DRAWING No:	
DATE		INTL	DESCRIPTION	REV	REVISION:

1

2