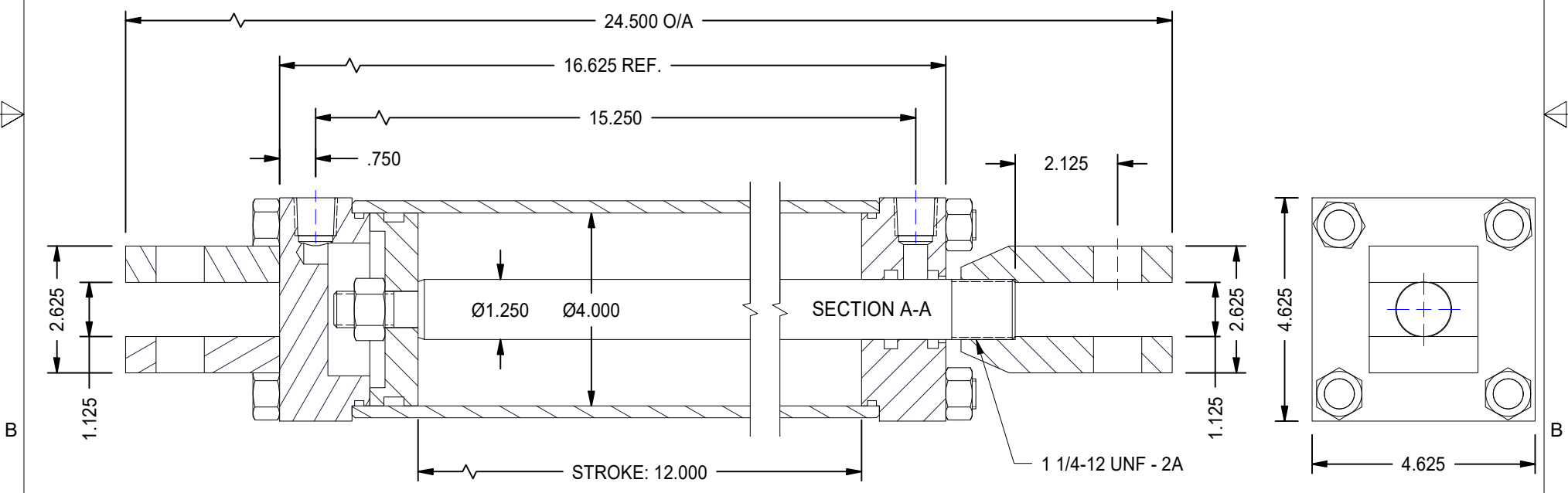
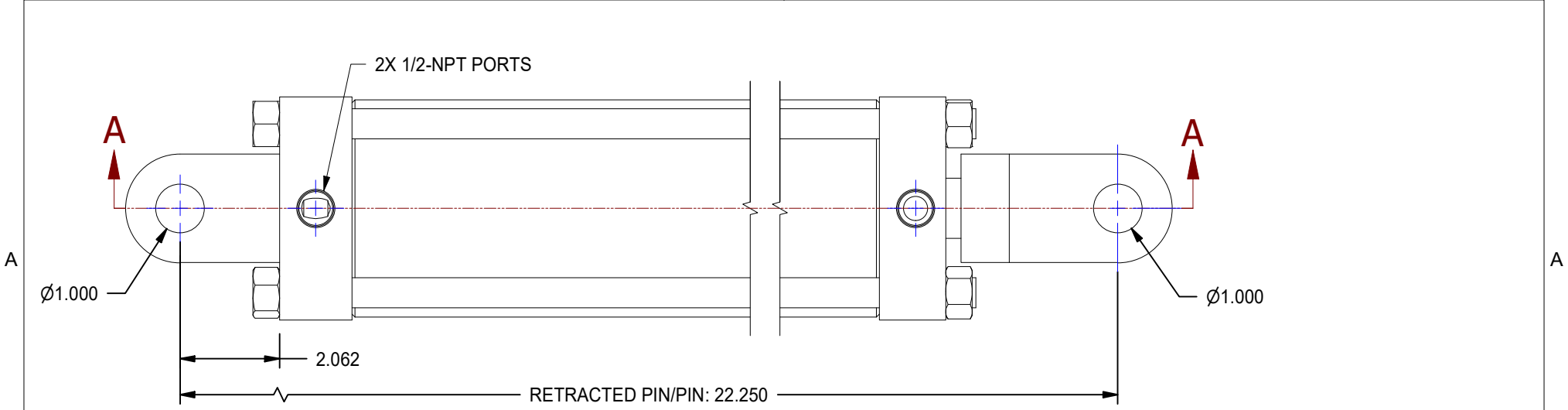



1

2



MODEL NUMBER:		PROJECT/CUSTOMER INFO:		DSGND:	DATE: 2012-07-04
 <b>TITAN WORLDWIDE INC.</b> <small>31 rue 50th St.          Clear Lake, CA 94505          Clear Lake is adjacent to state or power. One that stands out for          greatness of achievement!</small>		CAPACITY:		WEIGHT: N/A	
		SHEET SIZE: A		SHEET: 5 OF 14	FILENAME: TTN40TRXX.idw
701 MONTREAL STREET THUNDER BAY, ON P7E 3P-2 CANADA TEL: 807-474-5337 FAX: 807-623-5692 www.titanworldwide.com		TITLE: TTN40TR12		DRAWING No:	
					REVISION:

DATE	INTL	DESCRIPTION	REV

1

2