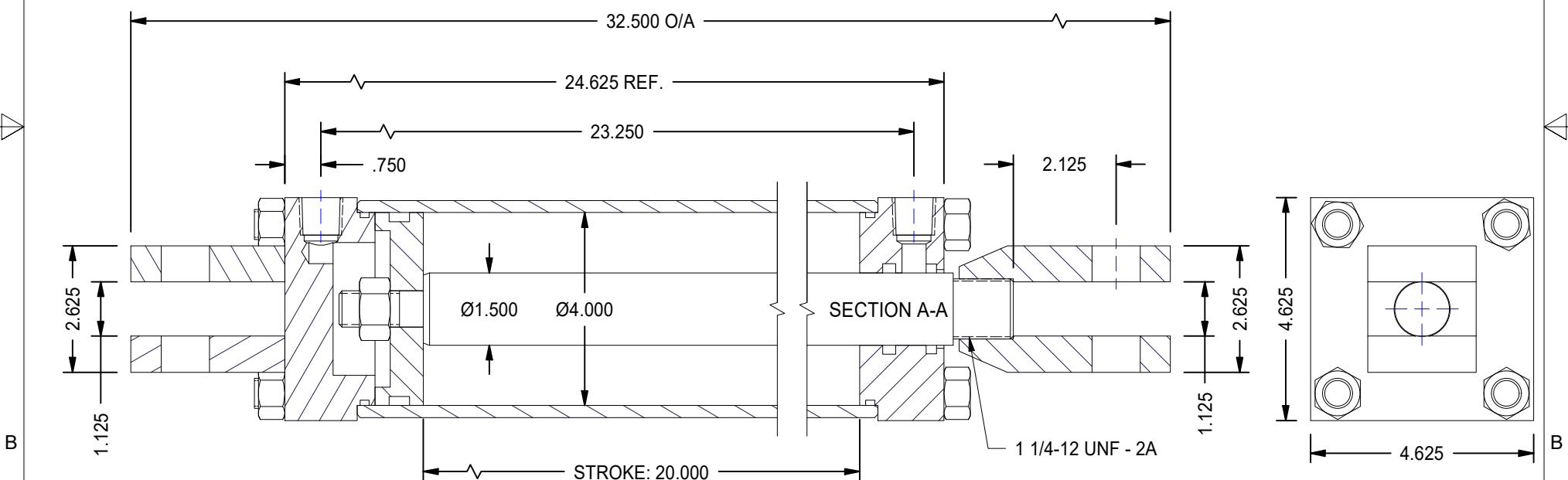
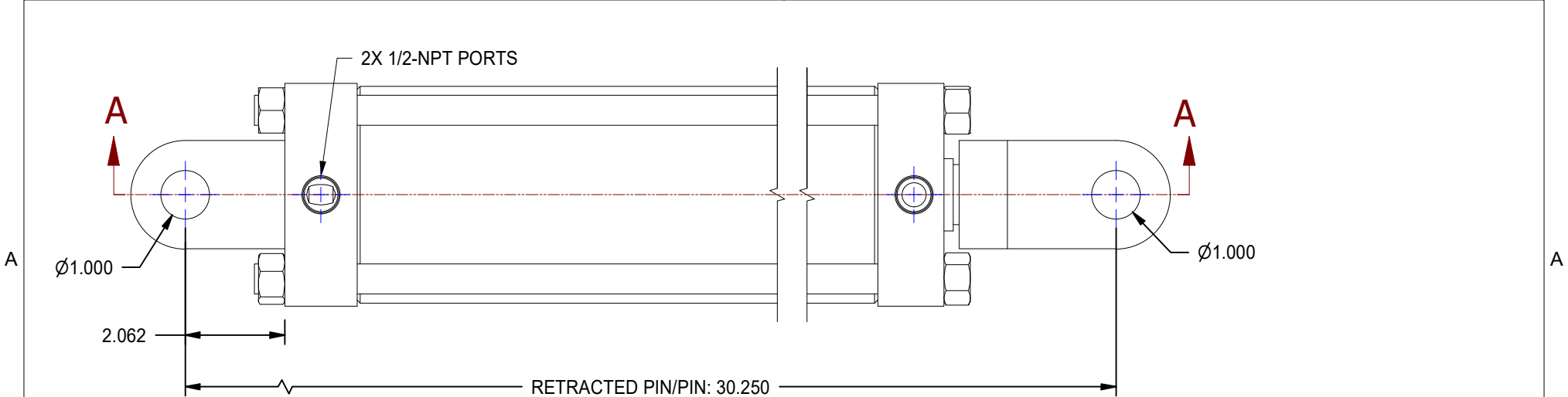



1

2



1

2

MODEL NUMBER:		PROJECT/CUSTOMER INFO:		DSGND:	DATE: 2012-07-04
 TITAN WORLDWIDE INC. <small>21 Sun 88th St. Clear Lake, CA 94631 Clear Lake is adjacent to state or power. One that stands out for greatness of achievement!</small>		CAPACITY:		WEIGHT: N/A	
		SHEET: A		SHEET: 9 OF 14	
701 MONTREAL STREET THUNDER BAY, ON P7E 3P-2 CANADA TEL: 807-474-5337 FAX: 807-423-5692 www.titanworldwide.com		TITLE: TTN40TR20		DRAWING No:	
DATE		INTL		DESCRIPTION	
REV					