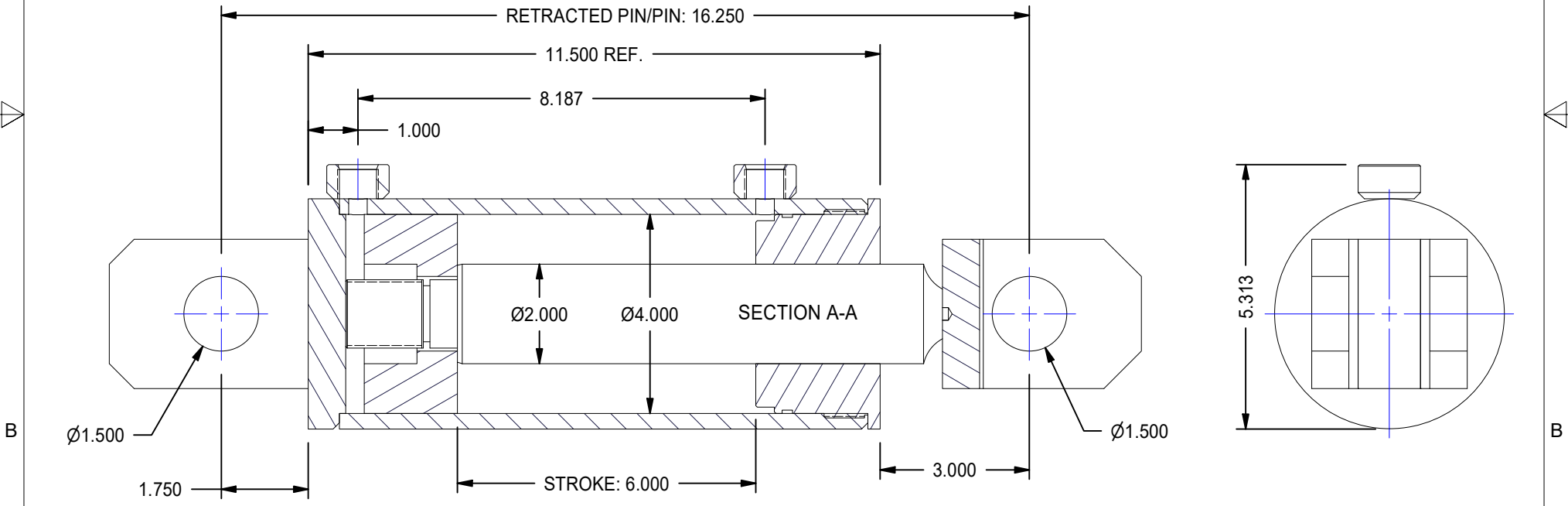
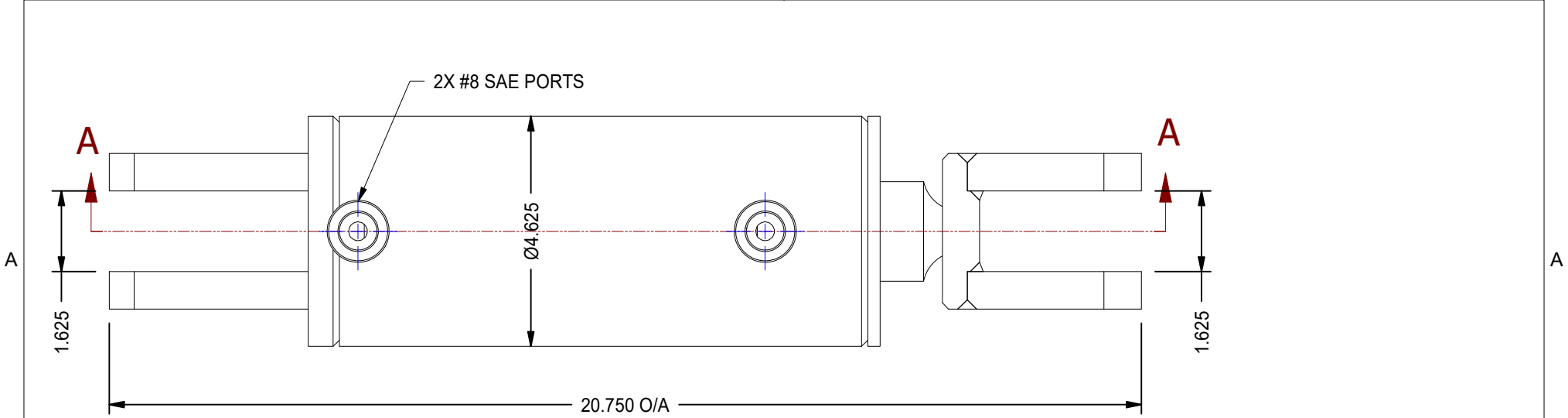



1

2



DATE		INTL	DESCRIPTION	REV
2014-07-18				

MODEL NUMBER:		PROJECT/CUSTOMER INFO:		DSGND:	DATE: 2014-07-18
 <b>TITAN WORLDWIDE INC.</b> <small>31 rue St-Jacques, 1000 St-Jacques, QC H3R 1V1, Canada</small> PHONE: 807-474-5337 FAX: 807-623-5692 EMAIL: info@titanworldwide.com WEB: www.titanworldwide.com		ENGINEER:	CAPACITY:		
		WEIGHT: N/A			
SHEET SIZE: A	SHEET: 2 OF 15	FILENAME:	TTN40BBXX.idw		
TITLE: TTN40BB06		DRAWING No:		REVISION:	

1

2