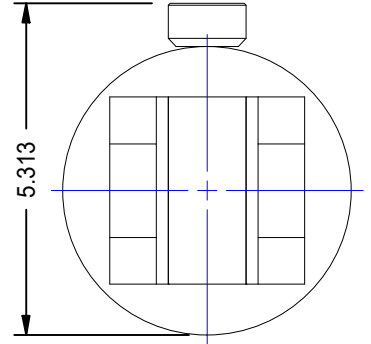
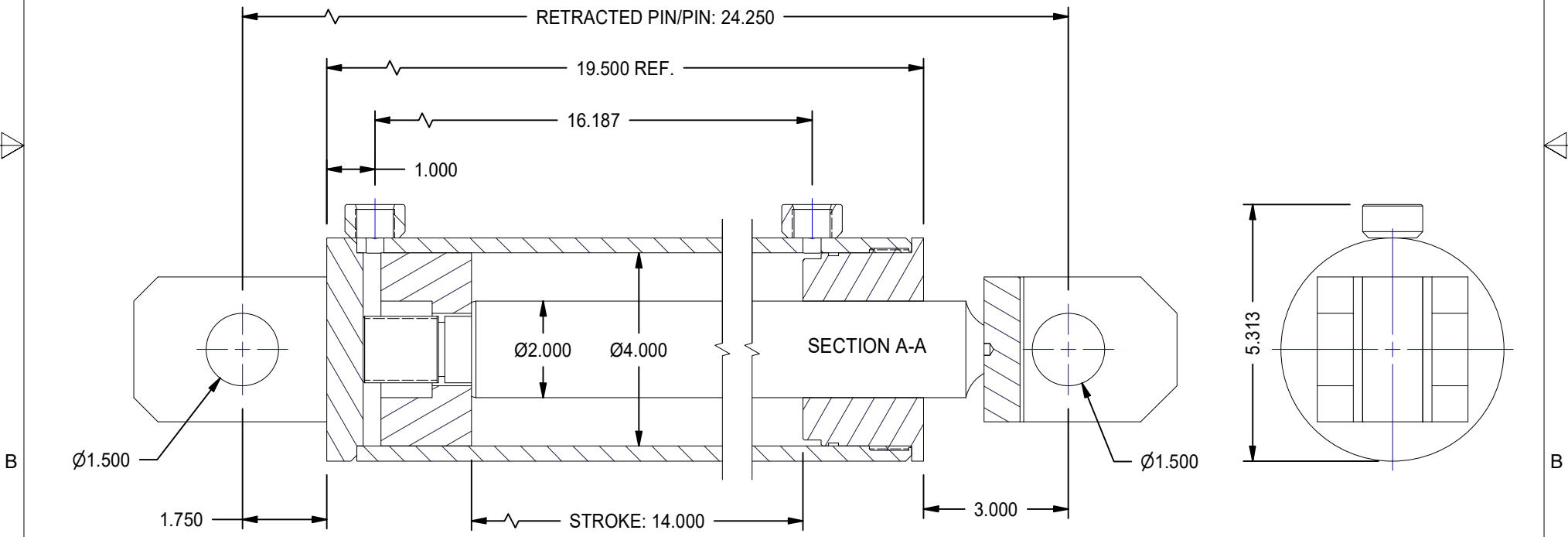
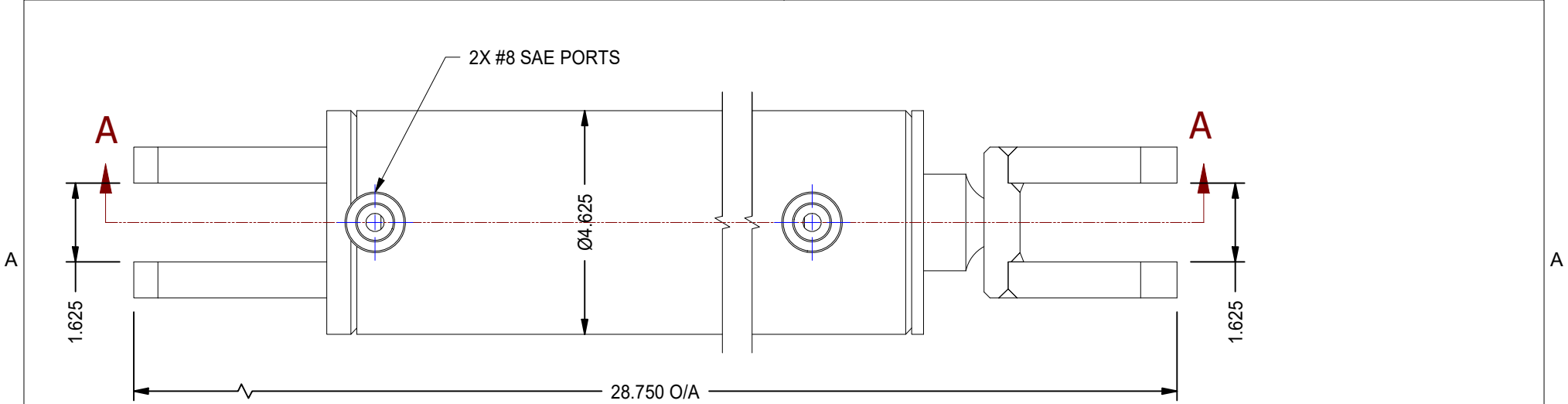



1

2



MODEL NUMBER:		PROJECT/CUSTOMER INFO:		DSGND:	DATE: 2014-07-18
 TITAN WORLDWIDE INC. <small>31 Year ISO 9001</small> <small>Clear title or graphic in case of power. One that stands out for greatest of effectiveness!</small> <small>PHONE: 807-474-5337 FAX: 807-623-5692 EMAIL: info@titanworldwide.com WEB: www.titanworldwide.com</small>		ENGINEER:	CAPACITY:	WEIGHT: N/A	
		SHEET: A SHEET: 6 OF 15 FILENAME: TTN40BBXX.idw		TITLE: TTN40BB14	
DRAWING No:				REVISION:	

DATE	INTL	DESCRIPTION	REV

1

2