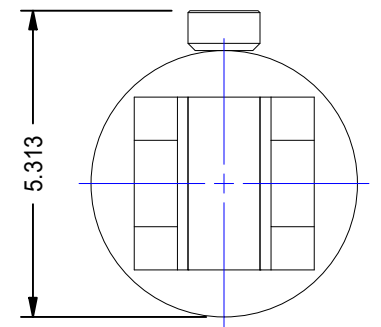
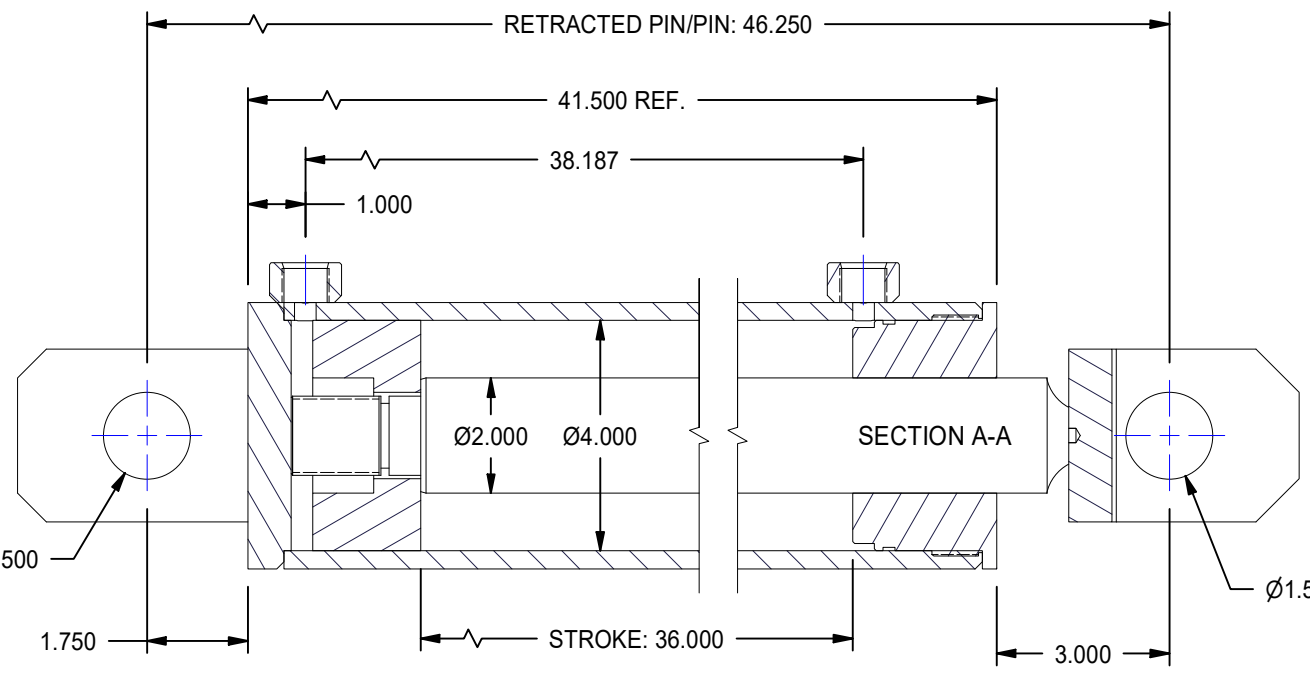
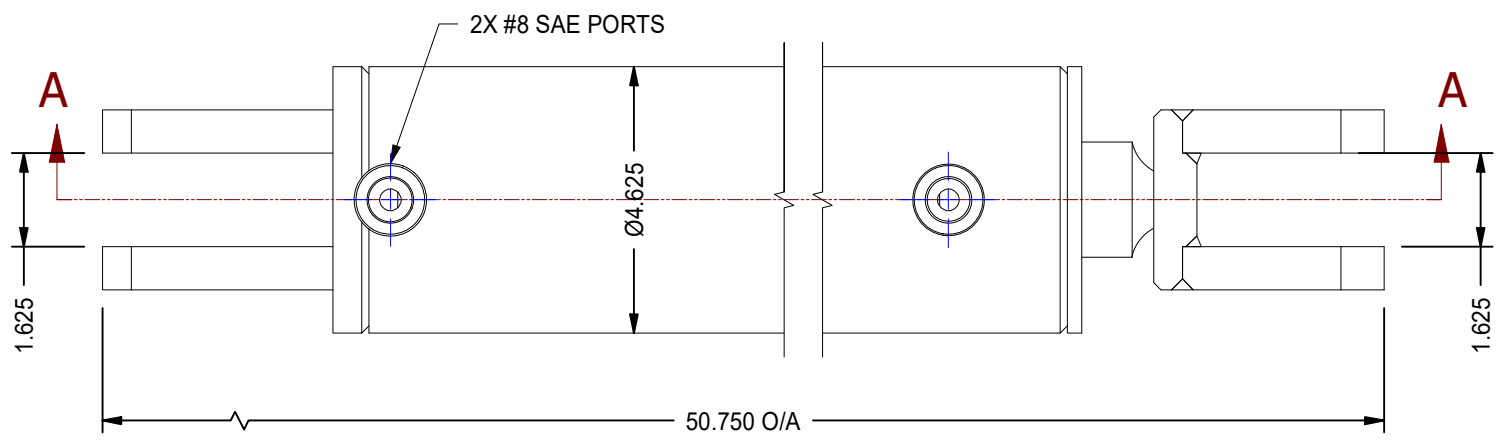



1

2



MODEL NUMBER:		PROJECT/CUSTOMER INFO:		DSGND:	DATE: 2014-07-18
 <b>TITAN WORLDWIDE INC.</b> <small>31 Year ISO 9001 Clear that all products are made in power. One that stands out for greatness of achievement!</small> <small>PHONE: 807-474-5337 FAX: 807-623-5692 EMAIL: info@titanworldwide.com WEB: www.titanworldwide.com</small>		ENGINEER:	CAPACITY:	WEIGHT: N/A	
		SHEET SIZE: A SHEET: 15 OF 15 FILENAME: TTN40BBXX.idw		TITLE: TTN40BB36	
701 MONTREAL STREET THUNDER BAY, ON P7E 3P-2 CANADA TEL: 807-474-5337 FAX: 807-623-5692 www.titanworldwide.com				DRAWING No:	
DATE		INTL	DESCRIPTION	REV	REVISION:

1

2