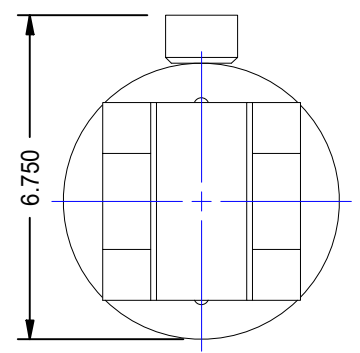
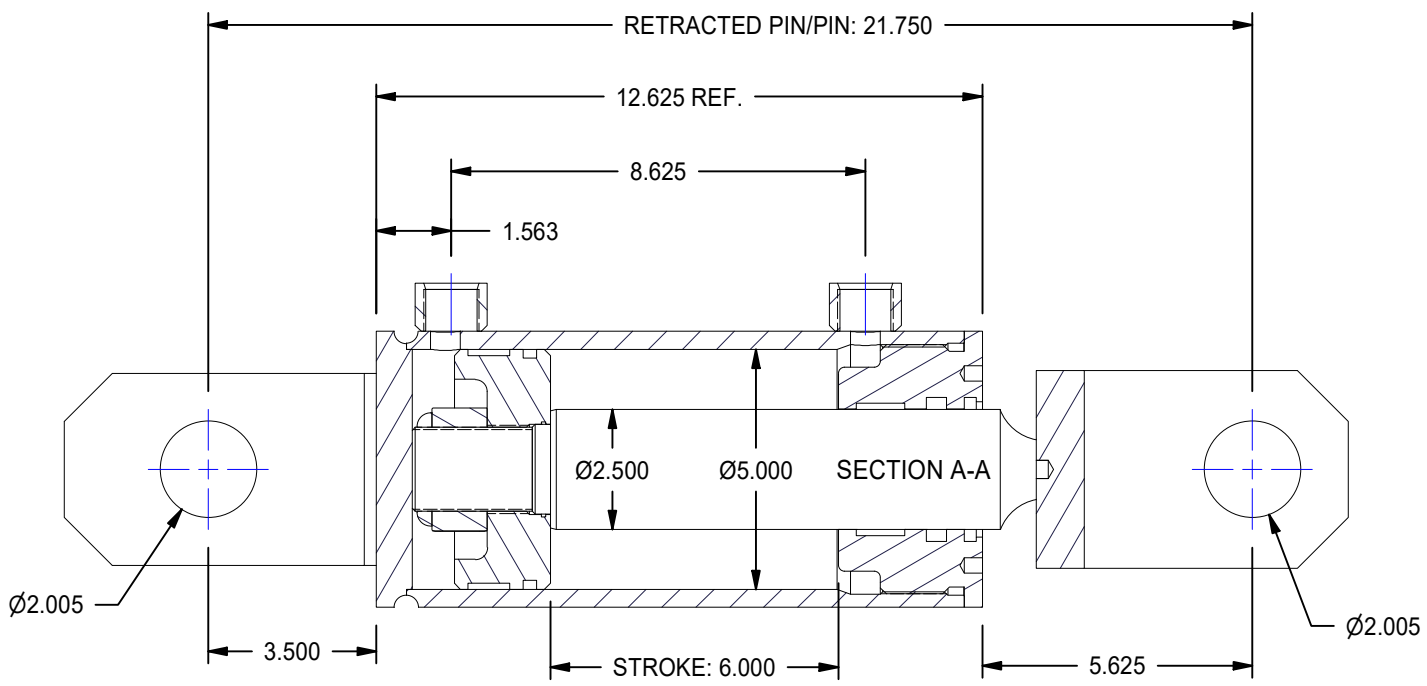
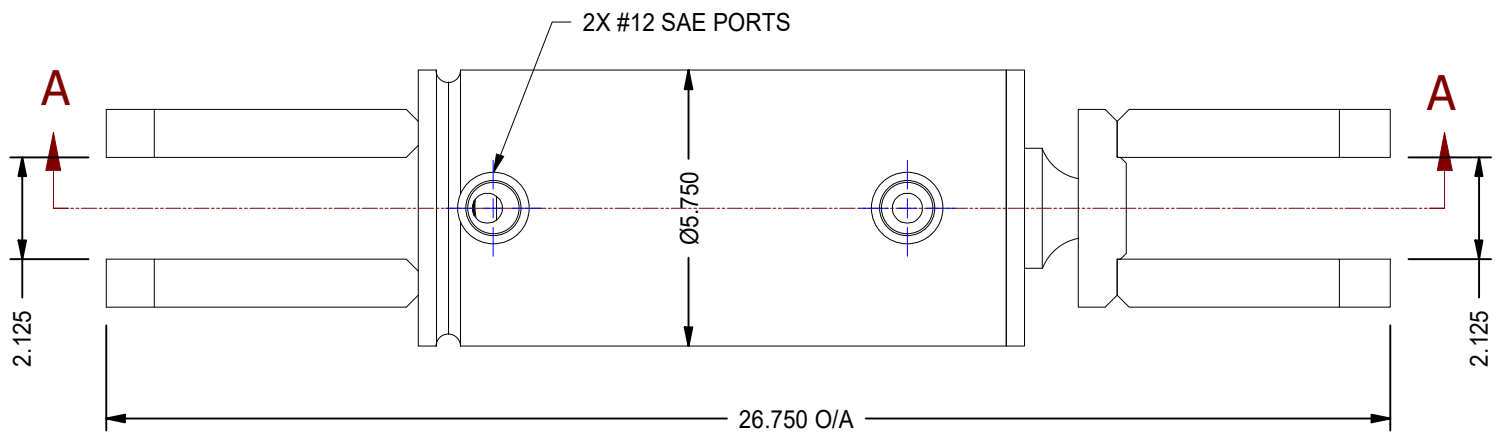



1

2



MODEL NUMBER:		PROJECT/CUSTOMER INFO:		DSGND:	DATE: 2020-04-02
 <b>TITAN WORLDWIDE INC.</b> <small>75 ton 5000 L. Clear fluid or glycol, in case or power. One that stands out for greatness of achievement!</small> <small>PHONE: 807-474-5337 FAX: 807-623-5692 EMAIL: info@titanworldwide.com WEB: www.titanworldwide.com</small>		ENGINEER:	CAPACITY:	WEIGHT: N/A	
		SHEET: A SHEET: 13 OF 14 FILENAME: TTN50BBXX.idw		TITLE: TTN50BB06	
DRAWING No:				REVISION:	

DATE	INTL	DESCRIPTION	REV

1

2