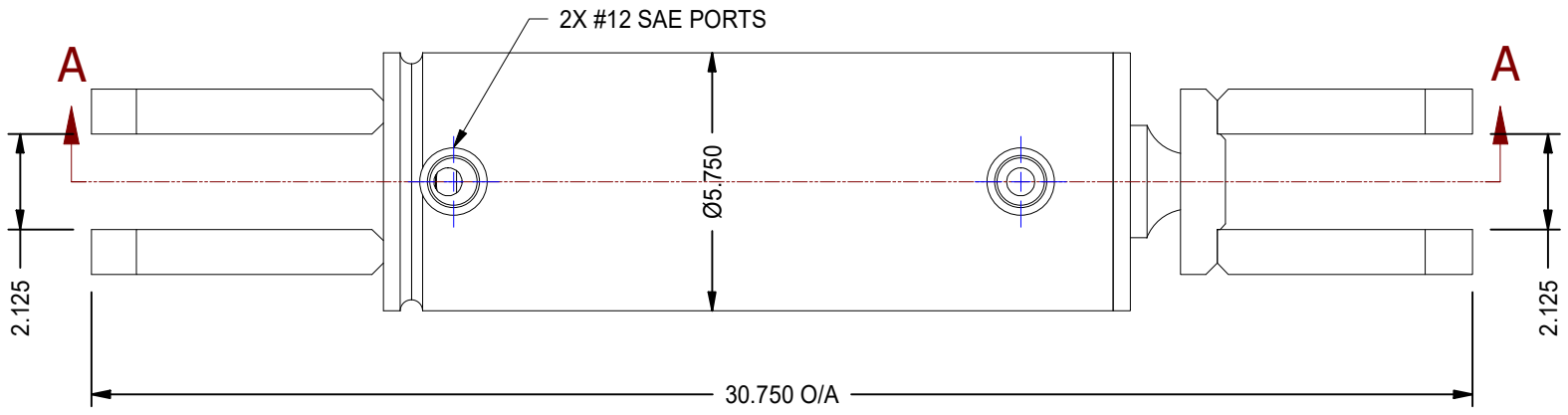


1

2

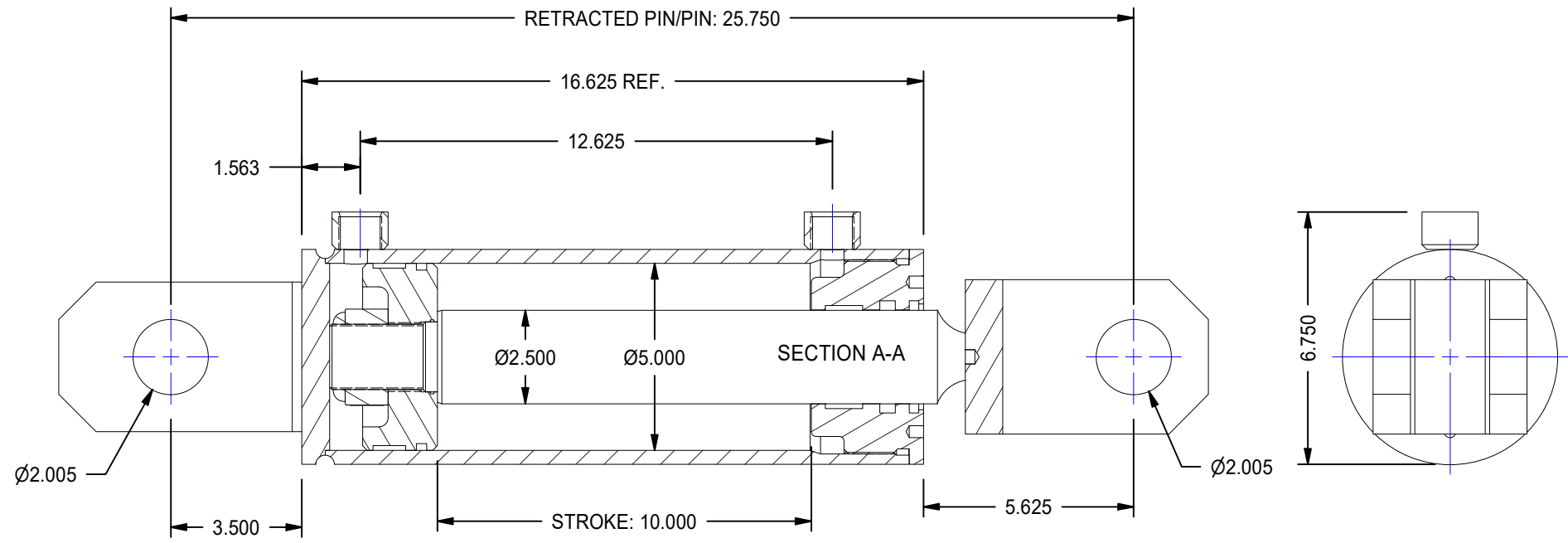


A

A

B

B




B

B

1

2

MODEL NUMBER:		PROJECT/CUSTOMER INFO:		DSGND:	DATE: 2020-04-02
 TITAN WORLDWIDE INC. <small>31 Year ISO 9001</small> <small>Clear Fall or liquid in case of power. One that stands out for greatness of achievement!</small> <small>PHONE: 807-474-5337 FAX: 807-623-5692 EMAIL: info@titanworldwide.com WEB: www.titanworldwide.com</small>		ENGINEER:	CAPACITY:	WEIGHT: N/A	
		SHEET: A SHEET: 11 OF 14 FILENAME: TTN50BBXX.idw		TITLE: TTN50BB10	
DRAWING No:				REVISION:	

DATE	INTL	DESCRIPTION	REV