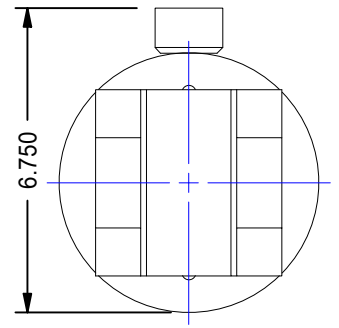
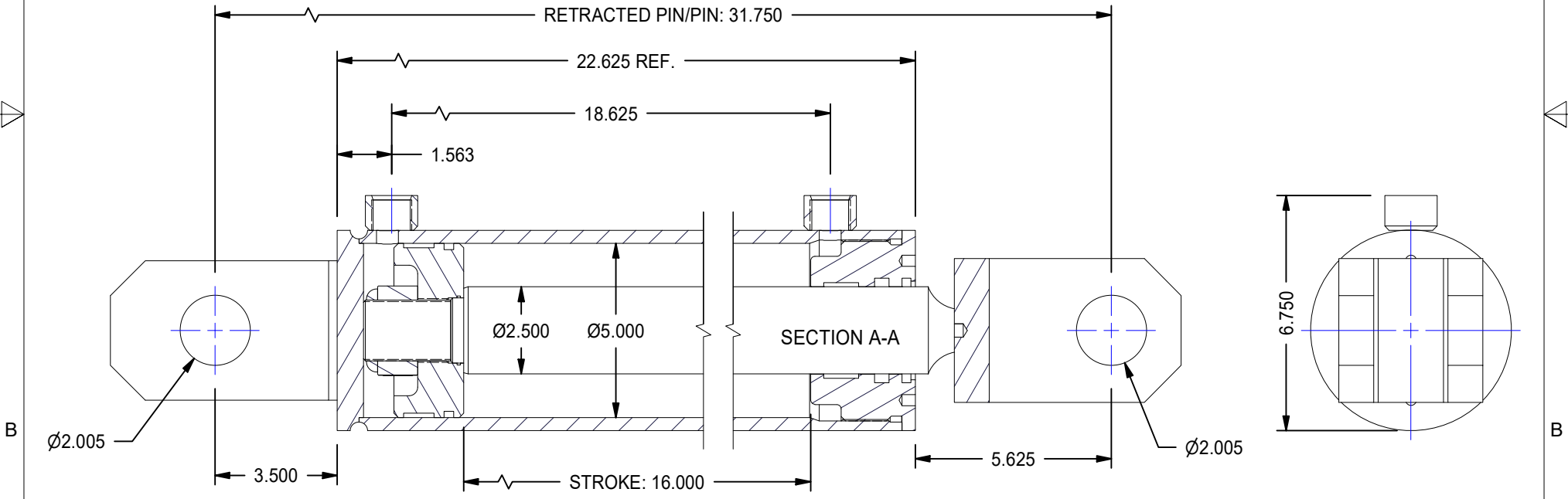
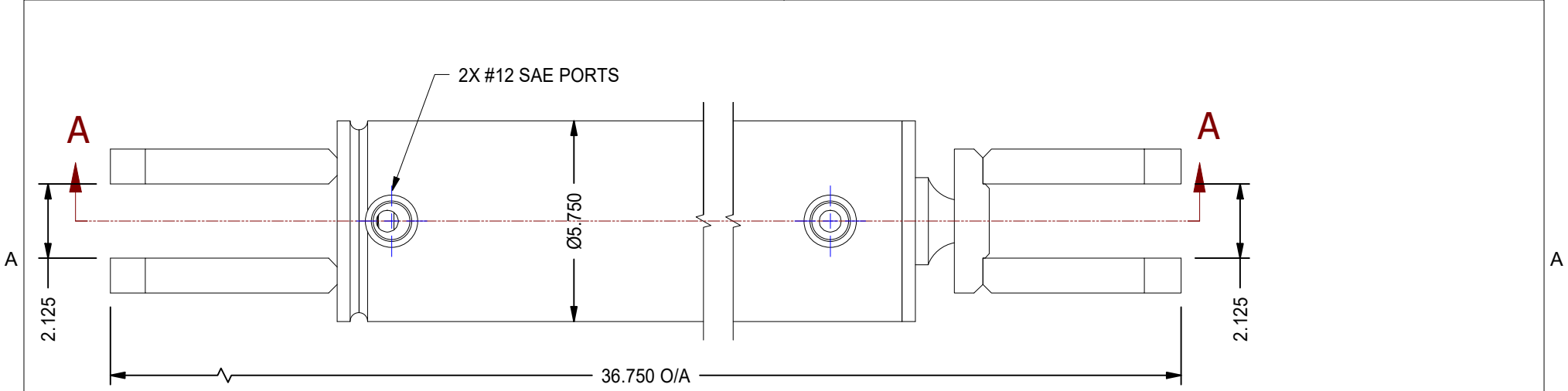


1

2



B

B

1

2

DATE	INTL	DESCRIPTION	REV

MODEL NUMBER:

PROJECT/CUSTOMER INFO:

DSGND: DATE: 2020-04-02

ENGINEER: CAPACITY:

WEIGHT: N/A

SHEET SIZE: A SHEET: 8 OF 14 FILENAME: TTN50BBXX.idw

TITLE: TTN50BB16

701 MONTREAL STREET
THUNDER BAY, ON
P7E 3P2
CANADA
TEL: 807-474-5337
FAX: 807-423-5692
www.titanworldwide.com

DRAWING No: REVISION: