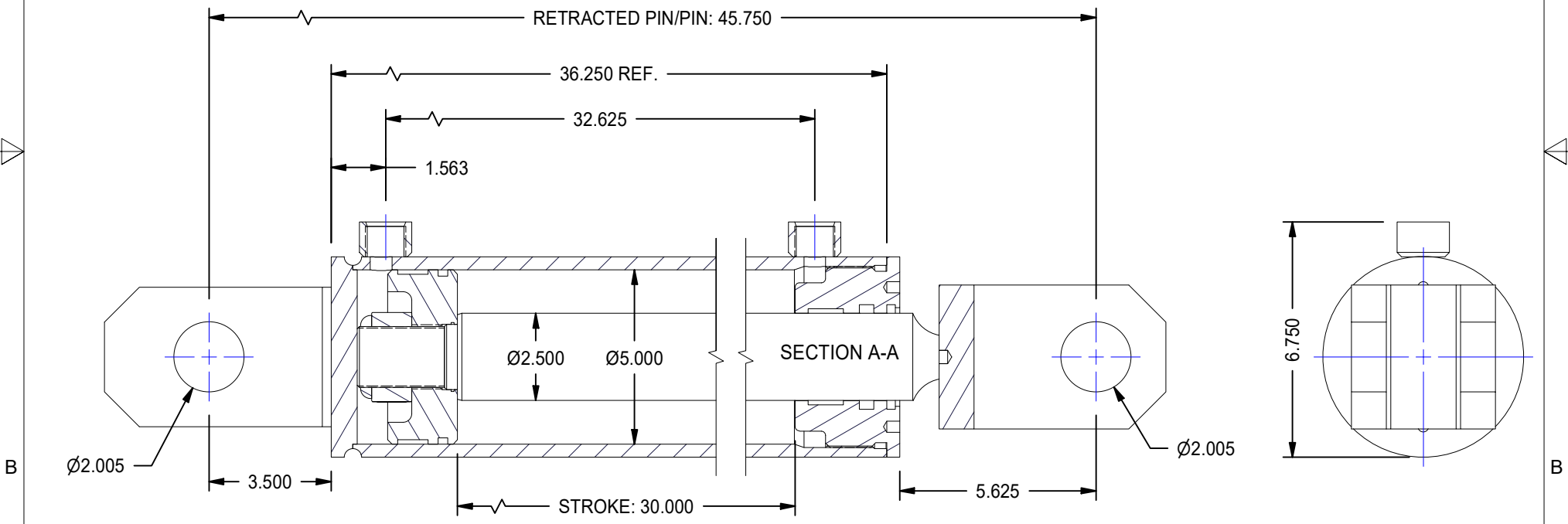
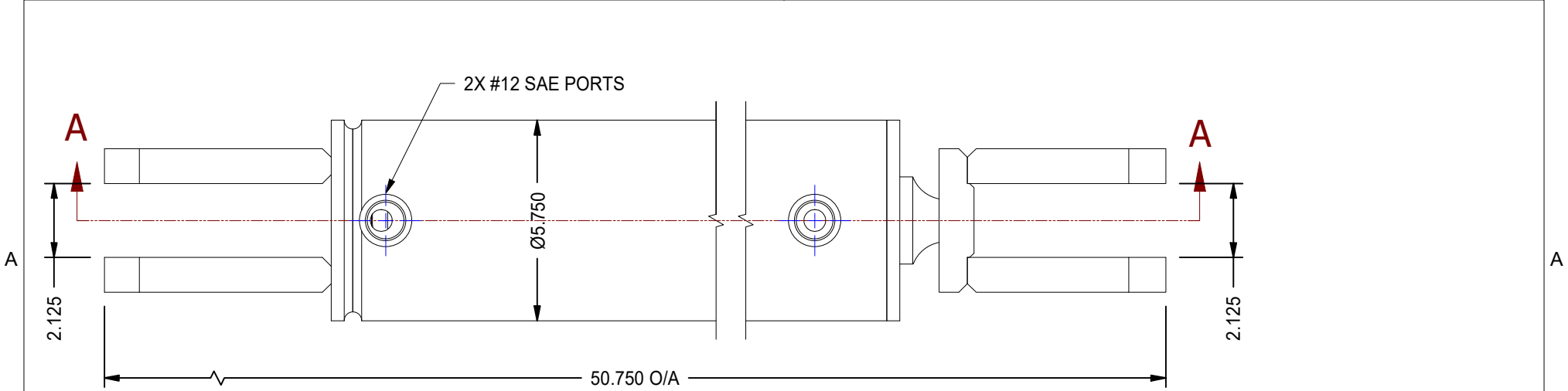



1

2



MODEL NUMBER:		PROJECT/CUSTOMER INFO:		DSGND:	DATE: 2020-04-02
 TITAN WORLDWIDE INC. <small>31 rue 1575 S. Clear Fall in liquid, in case of power. One that stands out for greatness of achievement!</small>		ENGINEER:		CAPACITY:	
		WEIGHT: N/A		FILENAME: TTN50BBXX.idw	
SHEET SIZE: A	SHEET: 3 OF 14	TITLE: TTN50BB30			
DRAWING No:					REVISION:

DATE	INTL	DESCRIPTION	REV

1

2