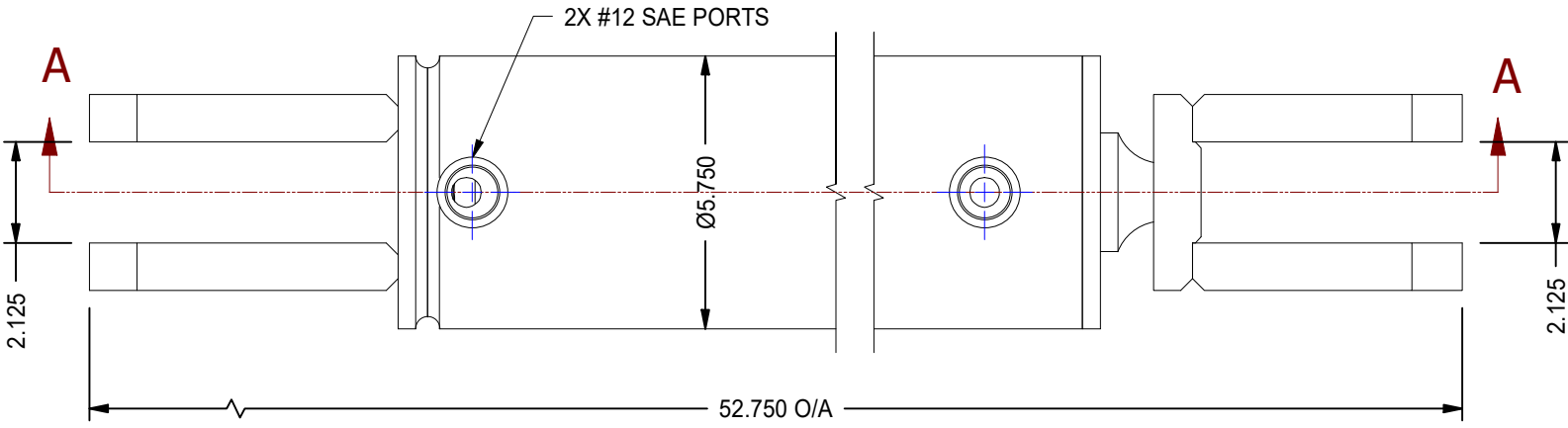


1

2

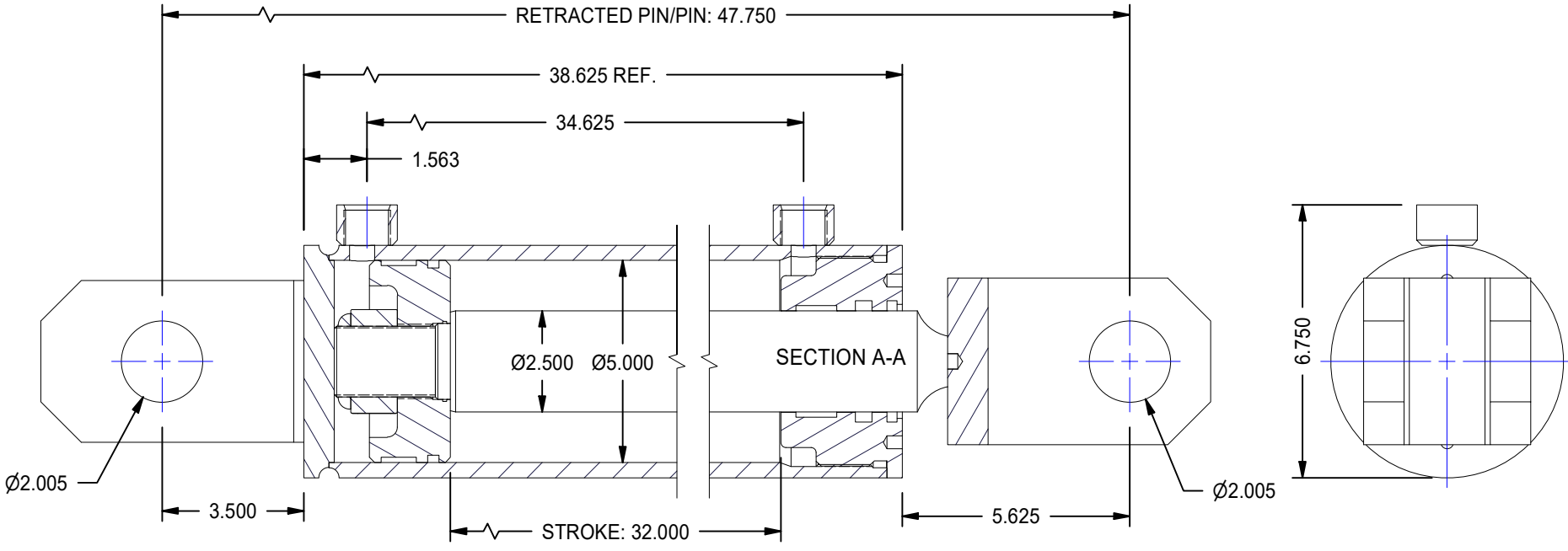



A

A

B

B



MODEL NUMBER:		PROJECT/CUSTOMER INFO:		DSGND:	DATE: 2020-04-02
 TITAN WORLDWIDE INC. <small>31 Rue 55th St. Clear Fall in liquid, in case of power. One that stands out for greatness of achievement</small>		ENGINEER:		CAPACITY:	
		WEIGHT: N/A		FILENAME: TTN50BBXX.idw	
SHEET SIZE: A	SHEET: 2 OF 14	TITLE: TTN50BB32			
DRAWING No:					REVISION:

DATE	INTL	DESCRIPTION	REV

1

2