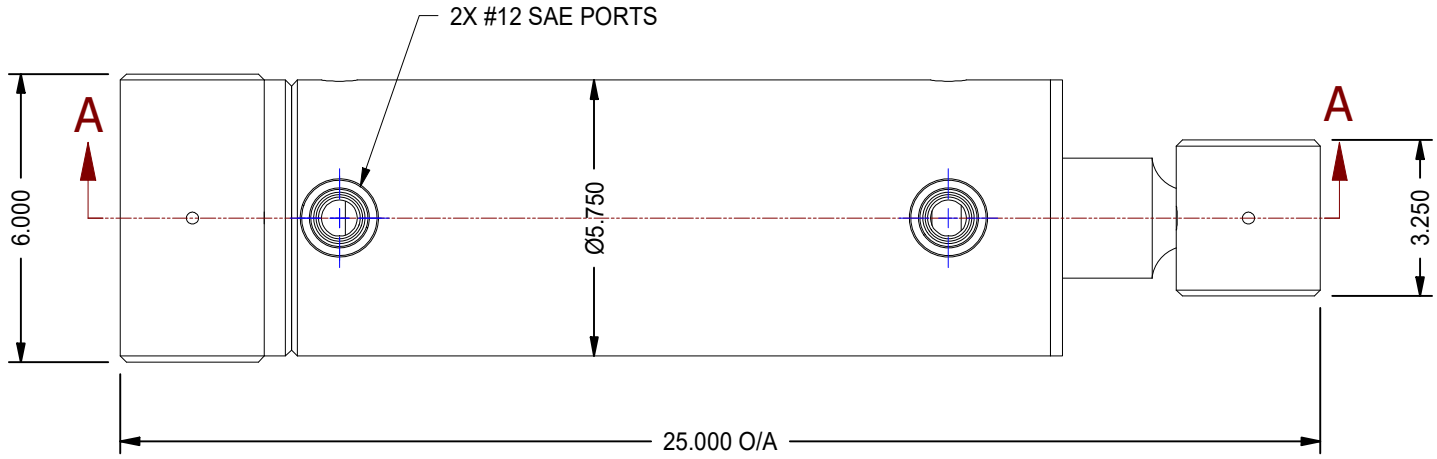


1

2

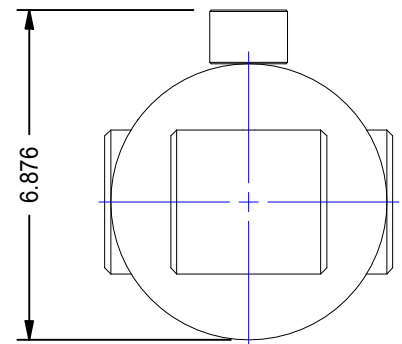
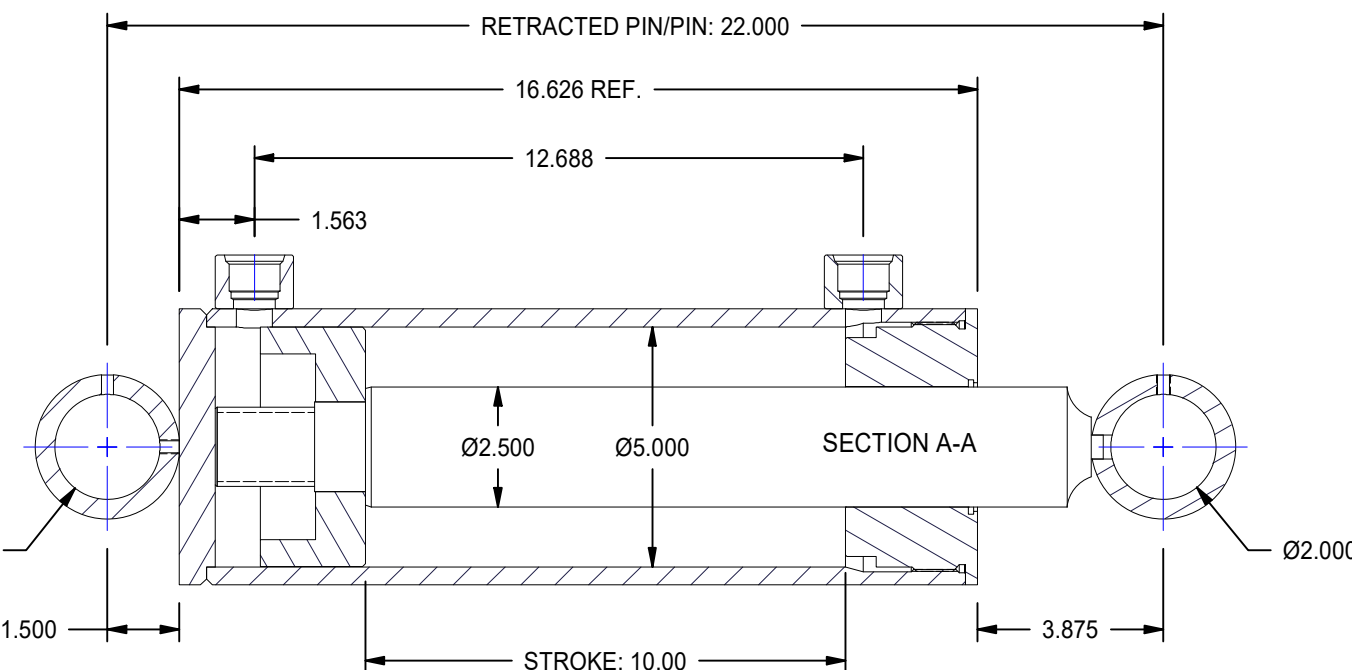



A

A

B

B



MODEL NUMBER:		PROJECT/CUSTOMER INFO:		DSGND:	DATE: 2017-05-10
 TITAN WORLDWIDE INC. <small>31 rue 50th St. Clear Lake or Republic, in state or power. One that stands out for greatness of achievement!</small>		ENGINEER:	CAPACITY:	WEIGHT:	N/A
		SHEET: A SHEET: 4 OF 16 FILENAME: TTN50TBXX.idw		TITLE: TTN50TB10	
701 MONTREAL STREET THUNDER BAY, ON P7E 3P-2 CANADA TEL: 807-474-5337 FAX: 807-623-5692 www.titanworldwide.com					REVISION:

DATE	INTL	DESCRIPTION	REV

1

2